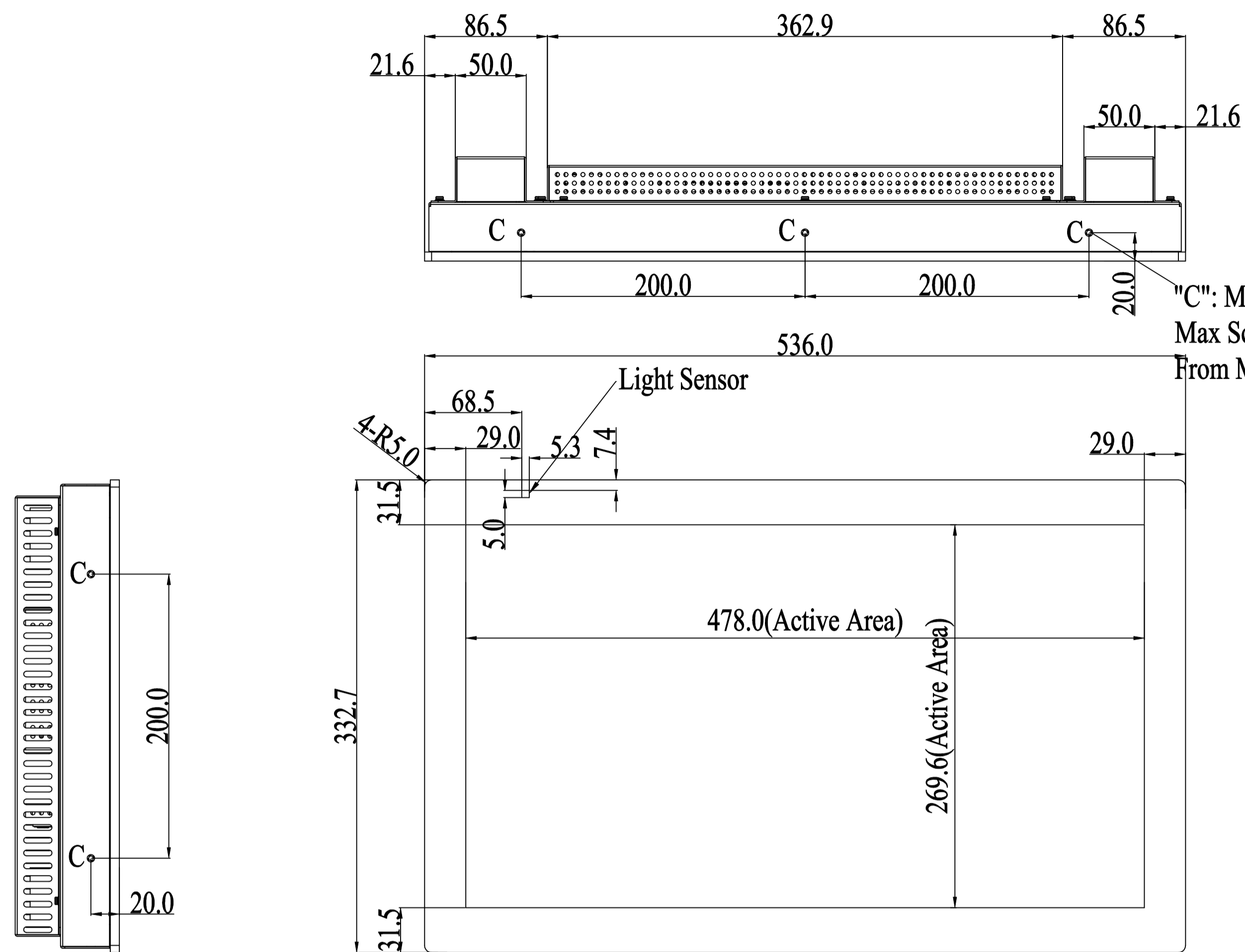
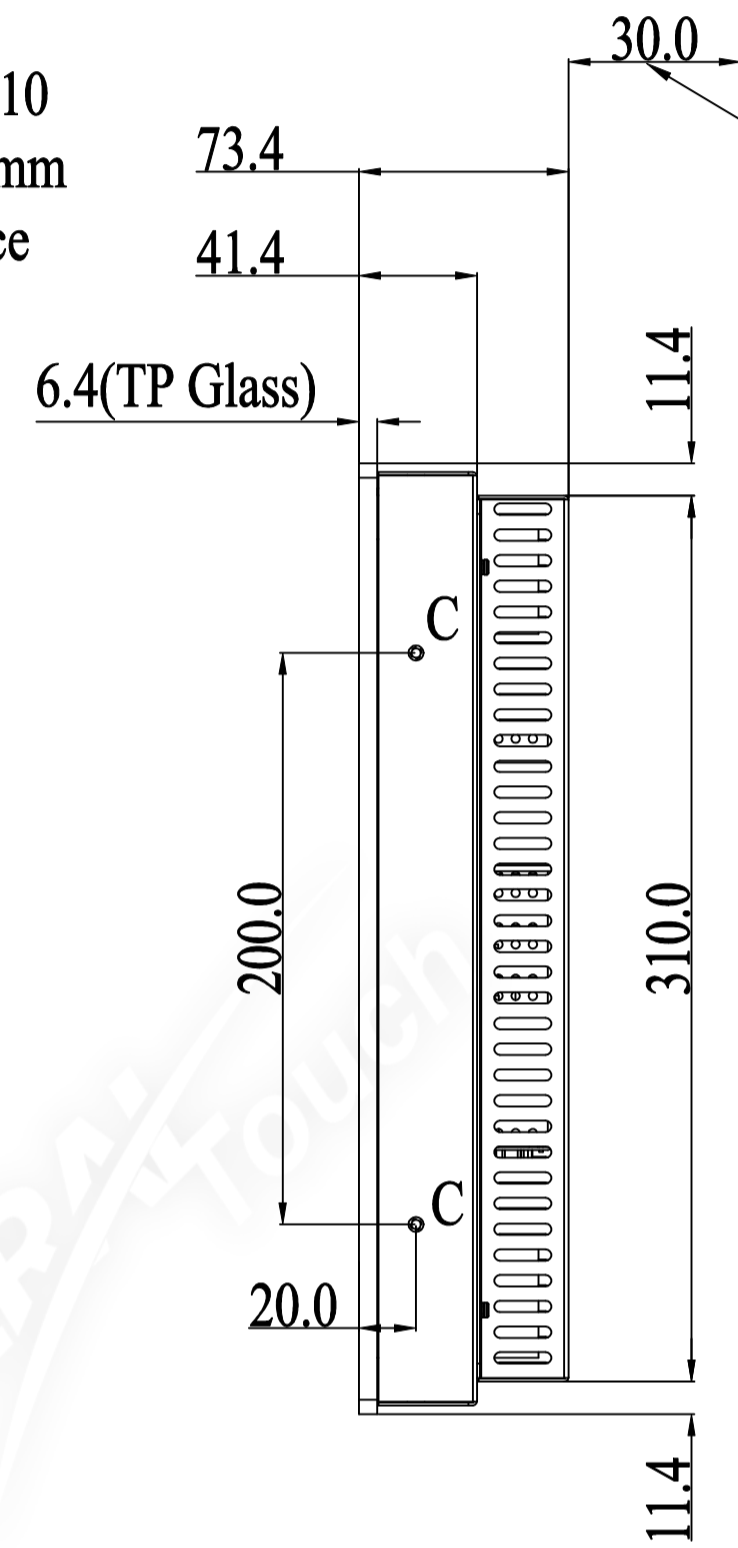


# Title: OSL223-RC80A0-UDA2L0-2.0

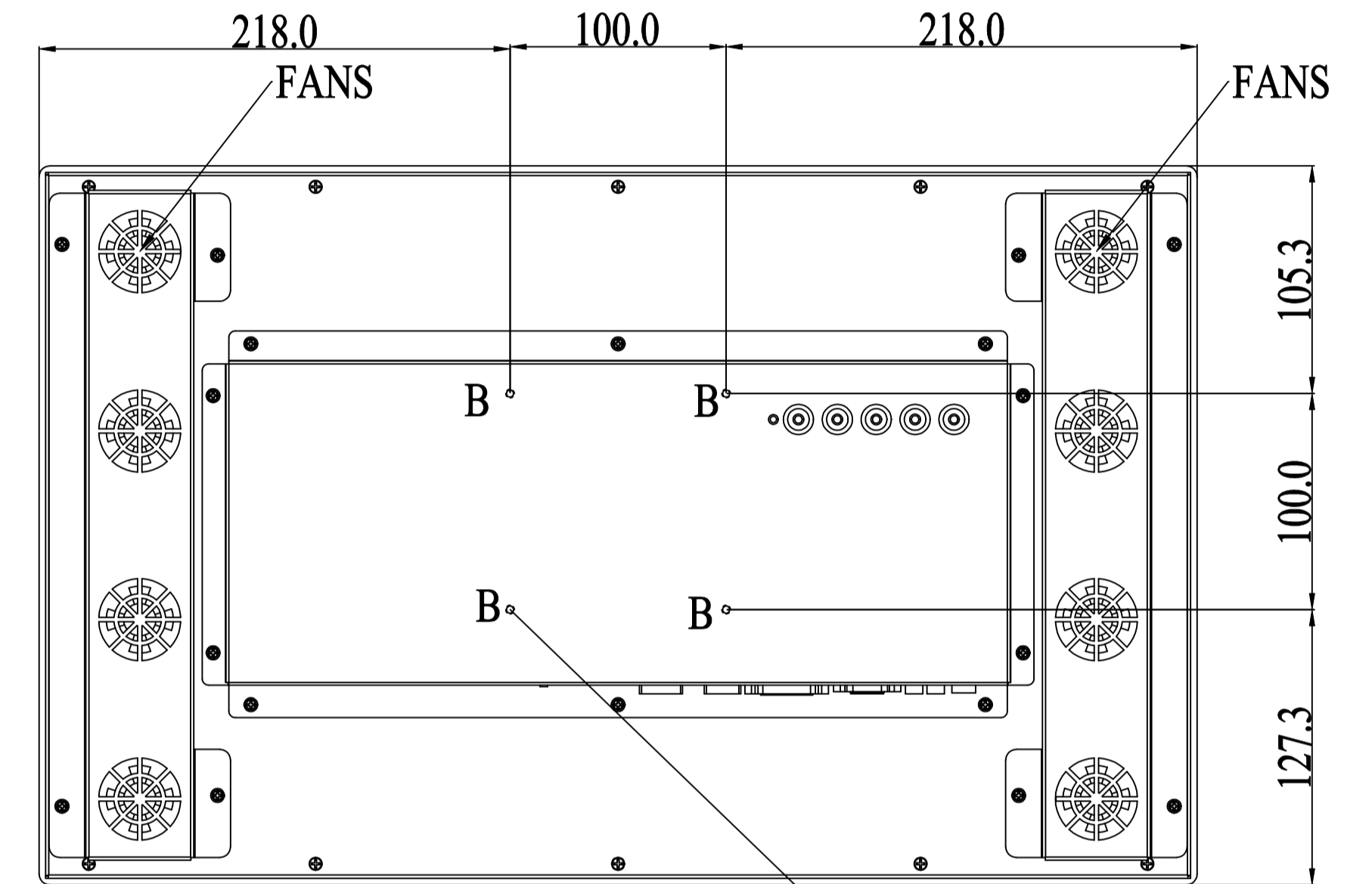
Mark	Revised Contents	Signature
△		



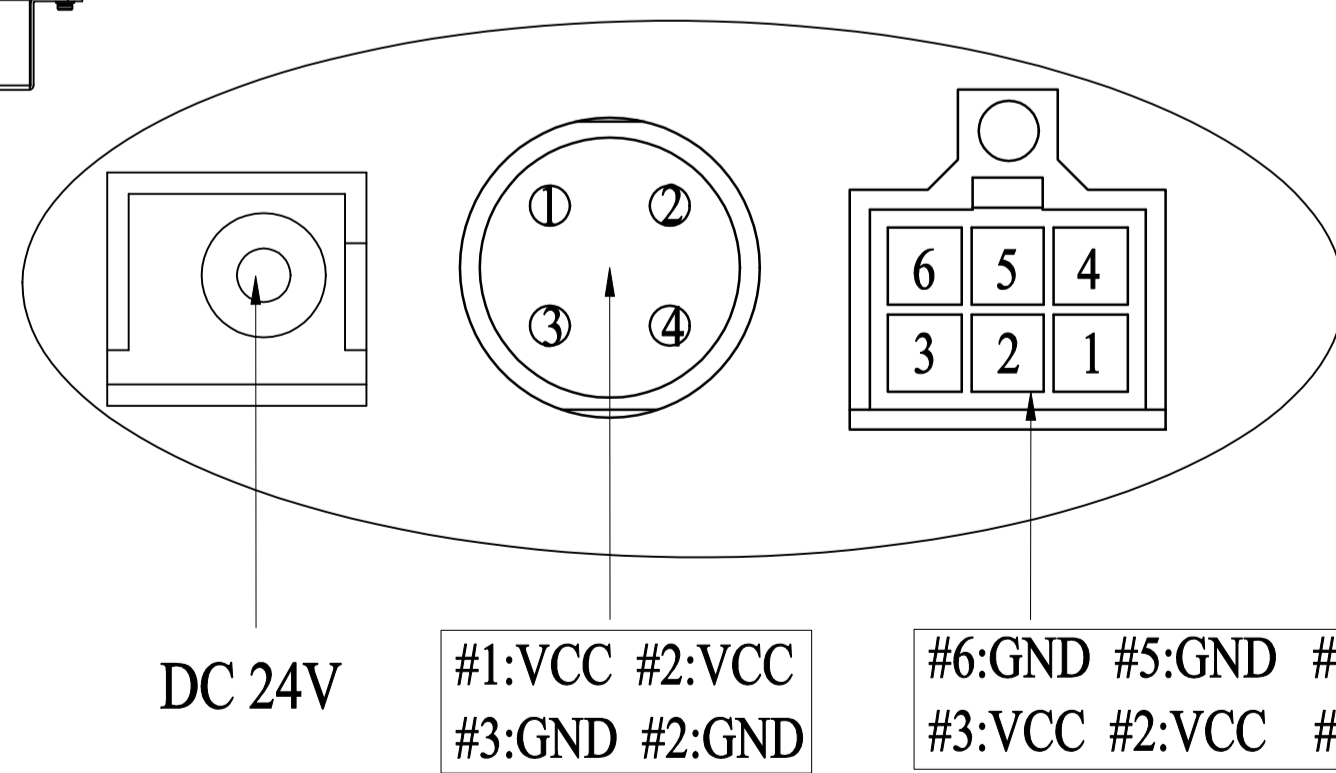
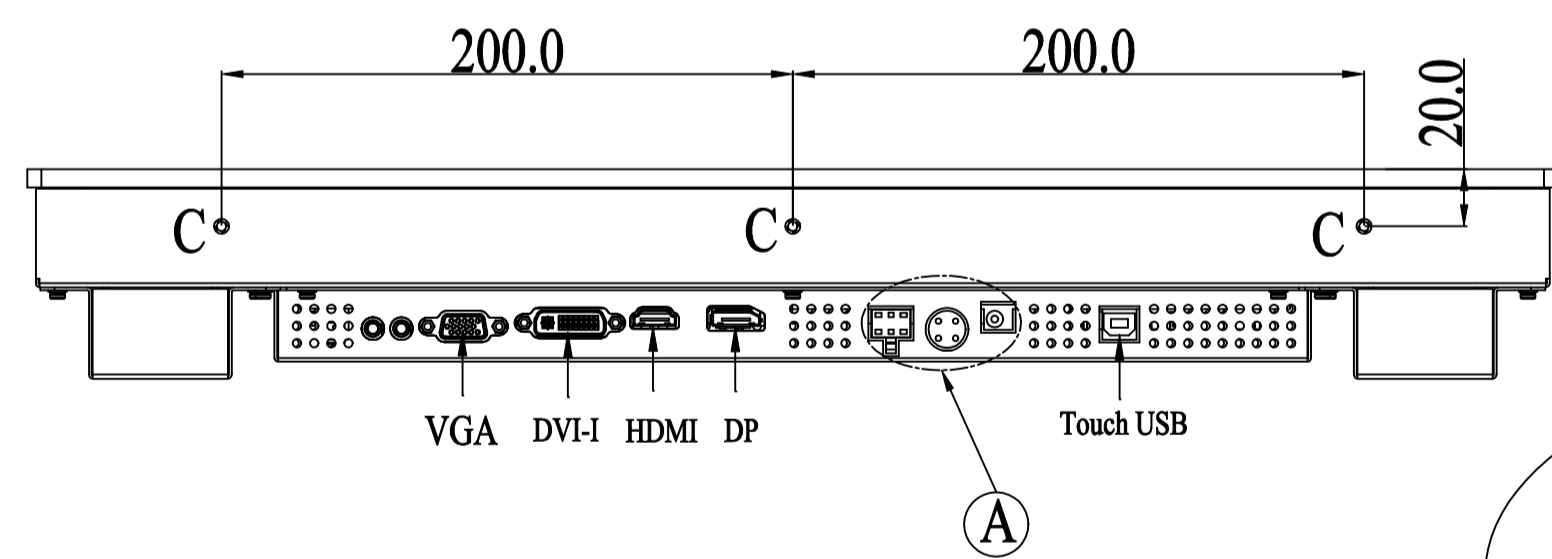
"C": M4 Threads, X10  
Max Screw Depth=10mm  
From Mounting Surface



There should be no obstacles  
within 30mm in front of the fans



"B": M4 Threads, X4  
Max Screw Depth=6mm  
From Mounting Surface



Detail A  
10:1

ALL DIMENSIONS ARE IN MILLIMETERS

<b>GENERAL Touch</b>		GeneralTouch Co., Ltd.			
Specification	External Dimensions	536.0*322.7*73.4	Anti-Glare	Y <input checked="" type="checkbox"/> N <input type="checkbox"/>	Designer: Zhou Bolin
Unit	Date	Active Area	DustProof	Y <input type="checkbox"/> N <input checked="" type="checkbox"/>	
mm	2024/03/14	Glass Thickness			Checked By: Wang Zhenghua
Projection:		Silk Print Color	Black		Approved By: Zhou Bolin
		Mounting	VESA <input checked="" type="checkbox"/>	Bracket <input checked="" type="checkbox"/>	
Sheet 1 of 1		Notes			
VER: 0.1	Scale: 1:1	Touch Technology	P-CAP <input checked="" type="checkbox"/>	SAW <input type="checkbox"/>	
			IR/PIT <input type="checkbox"/>	Resistive <input type="checkbox"/>	
			Non-Touch <input type="checkbox"/>		
Tolerance: ±1.0mm					