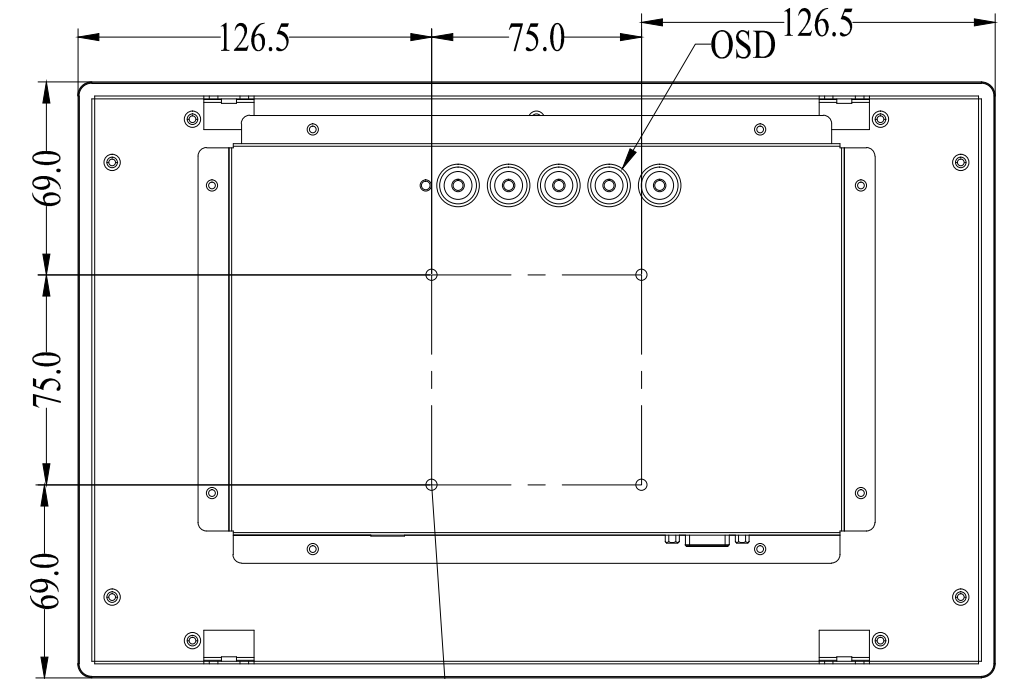
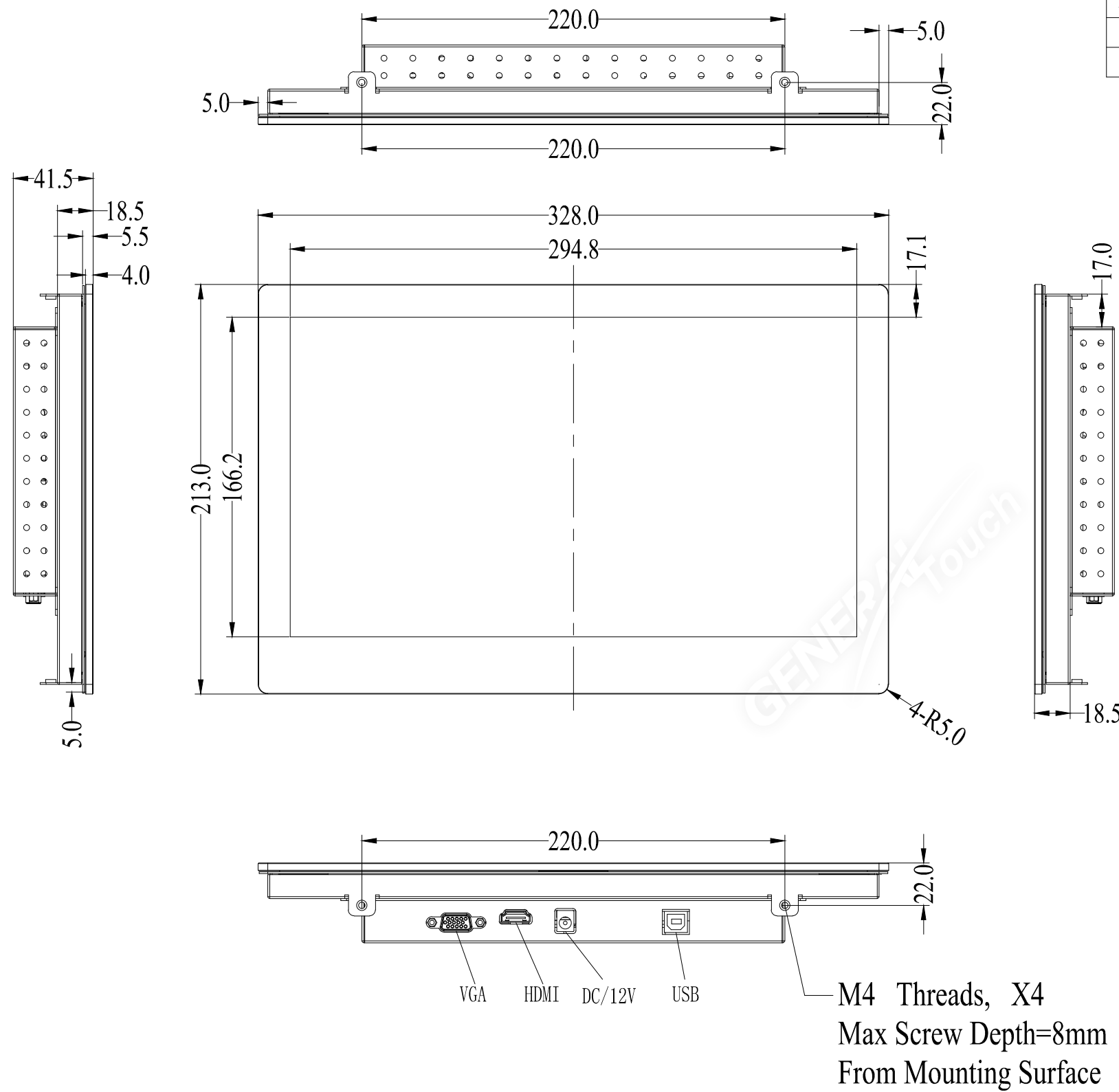


Title: OTL133-RC6000-UH6200-2.0

Mark	Revised Contents	Signature
△		



M4 Threads, X4
Max Screw Depth=6mm
From Mounting Surface

ALL DIMENSIONS ARE IN MILLIMETERS

GENERAL Touch		GeneralTouch Co., Ltd.			
Specification	External Dimensions	328*213*41.5	Anti-Glare	Y <input type="checkbox"/> N <input checked="" type="checkbox"/>	Designer: Wang An
Unit: mm	Date	2024.3.21	DustProof	Y <input type="checkbox"/> N <input checked="" type="checkbox"/>	
Projection:	Active Area	294.8*166.2	Glass Thickness	4 mm	Checked By: Duan Wenbin
	Silk Print Color		Mounting	VESA <input checked="" type="checkbox"/> Bracket <input checked="" type="checkbox"/>	
Sheet 1 of 1	Notes		Touch Technology	P-CAP <input checked="" type="checkbox"/> SAW <input type="checkbox"/> IR/PIT <input type="checkbox"/> Resistive <input type="checkbox"/> Non-Touch <input type="checkbox"/>	Approved By: Zhou Bolin
VER: 0.2	Scale: 1:1	Tolerance: ±1.0mm			