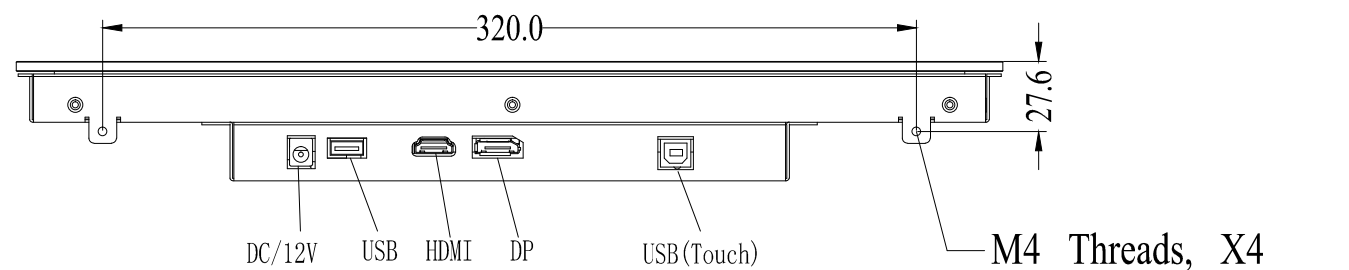
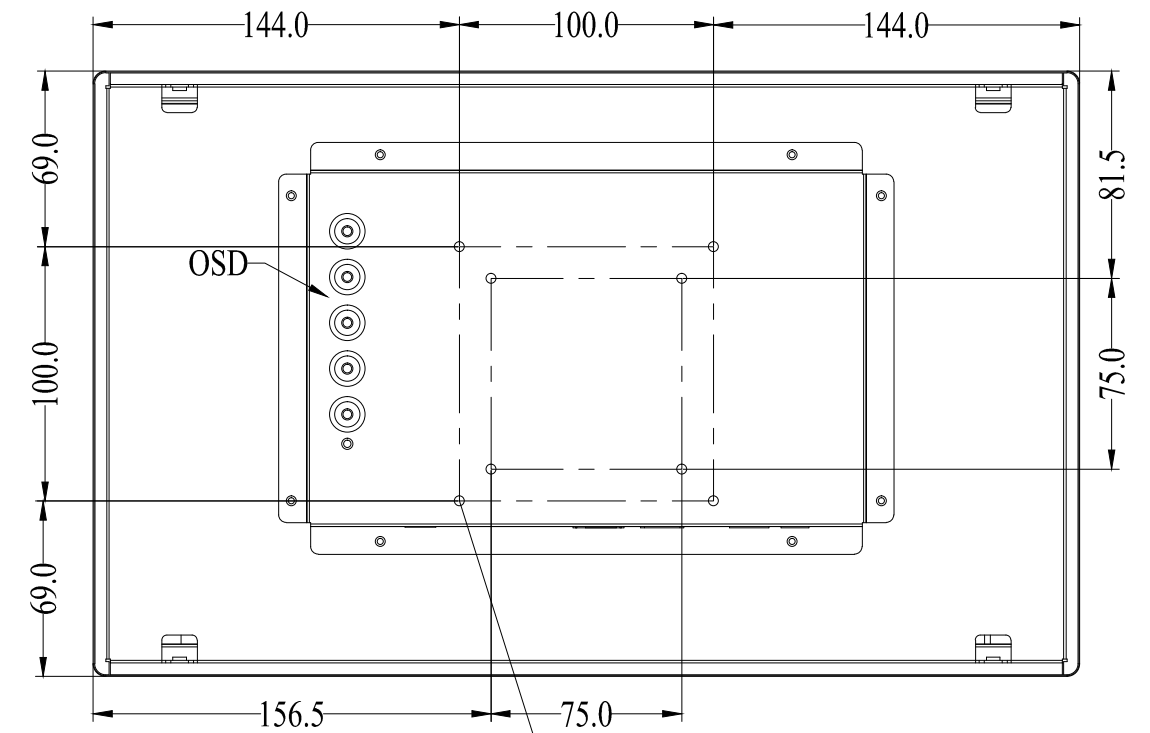
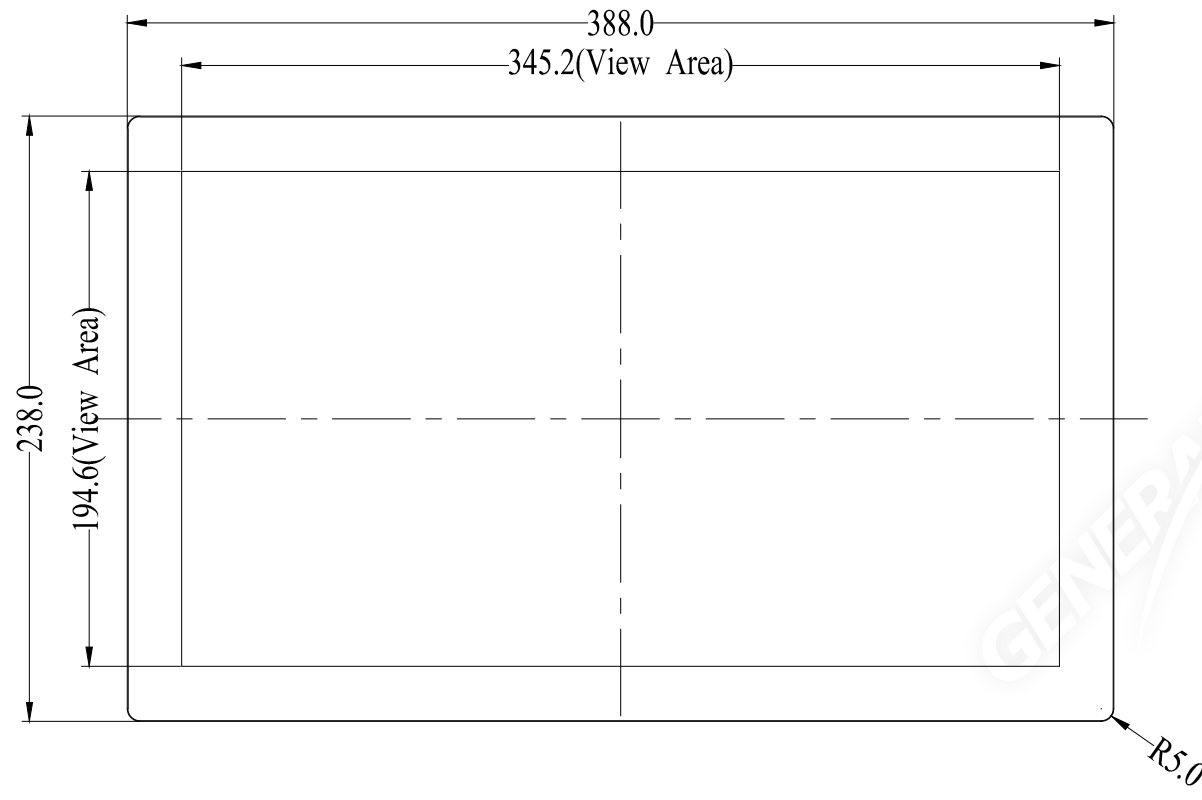
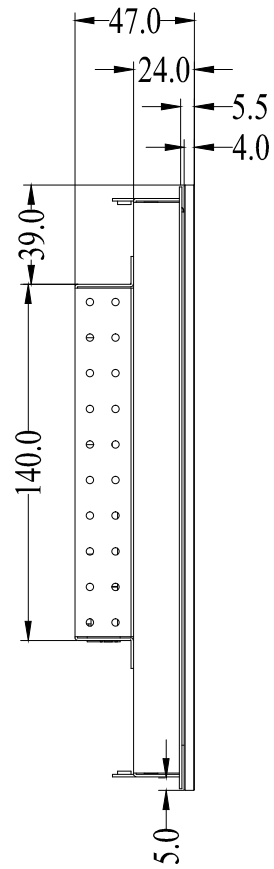
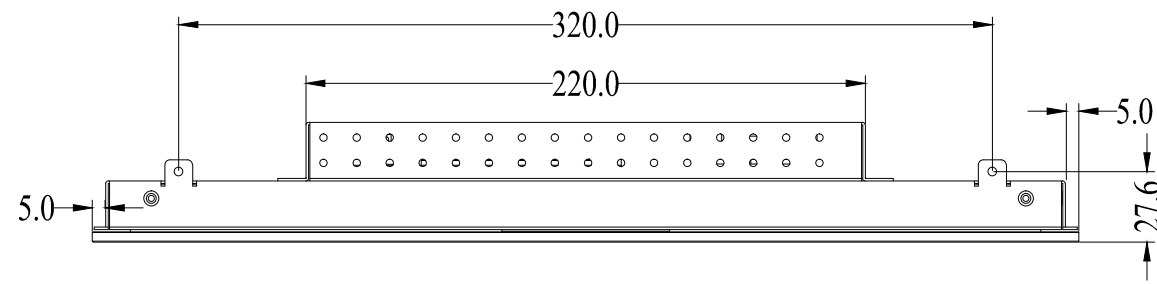


# Title: OTL153-RC6000-UD5200-2.0

Mark	Revised Contents	Signature
△		



M4 Threads, X4  
Max Screw Depth=8mm  
From Mounting Surface

M4 Threads, X8  
Max Screw Depth=6mm  
From Mounting Surface

**ALL DIMENSIONS ARE IN MILLIMETERS**

<b>GENERAL Touch</b>		GeneralTouch Co., Ltd.					
Specification	External Dimensions	388*238*47.0	Anti-Glare	<input type="checkbox"/> Y <input checked="" type="checkbox"/> N	Designer: Wang An		
Unit mm	Date	2024.4.28	Active Area	345.2*194.6		DustProof	<input type="checkbox"/> Y <input checked="" type="checkbox"/> N
Projection: 	Glass Thickness	4 mm	Silk Print Color		Checked By: Duan Wenbin		
	Mounting	VESA <input checked="" type="checkbox"/>	Bracket	<input checked="" type="checkbox"/>			
Notes					Approved By: Zhou Bolin		
VER: 0.2	Scale: 1:1	Touch Technology	P-CAP	<input checked="" type="checkbox"/>		SAW	<input type="checkbox"/>
Tolerance: ±1.0mm			IR/PIT	<input type="checkbox"/>		Resistive	<input type="checkbox"/>
			Non-Touch	<input type="checkbox"/>			