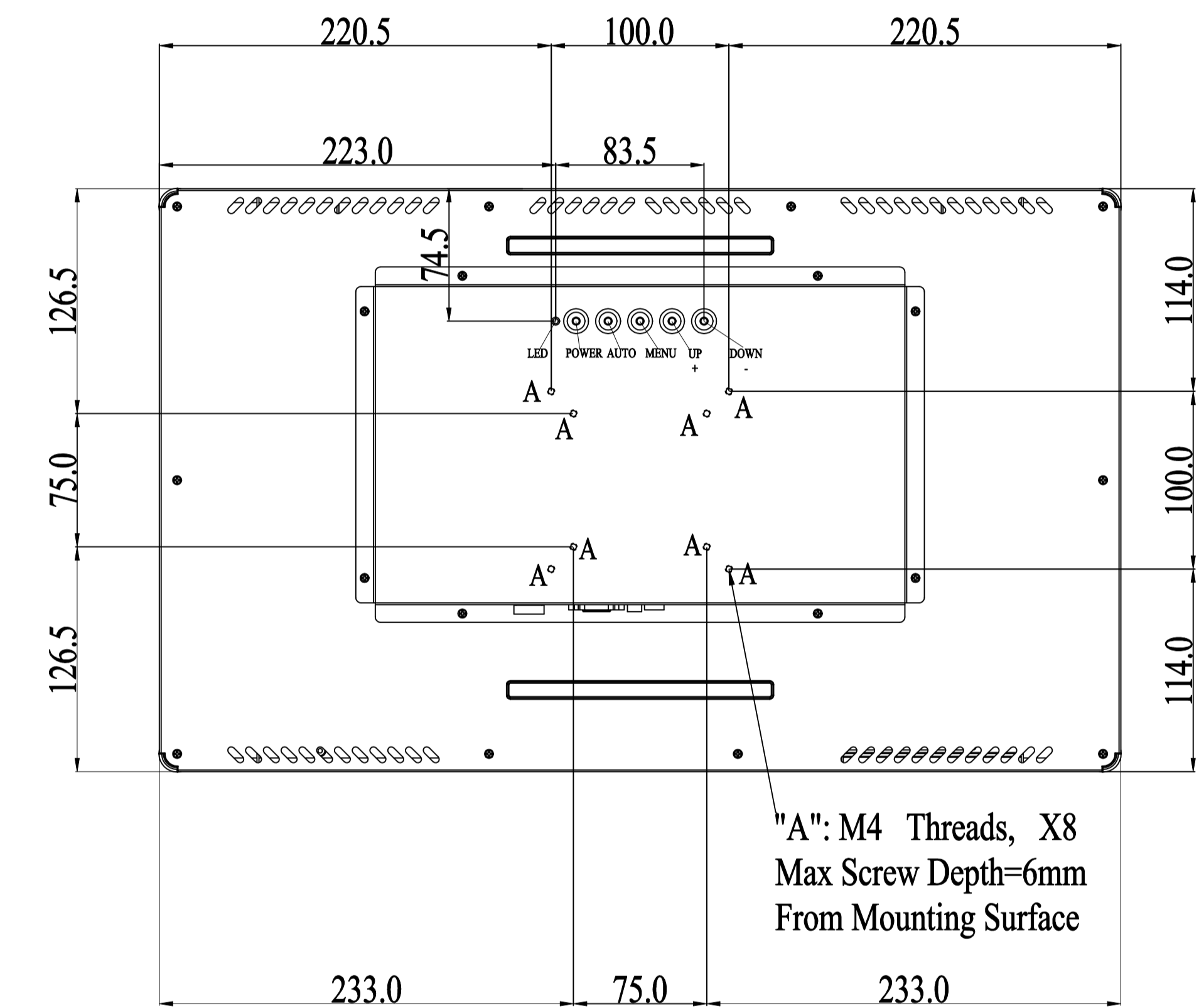
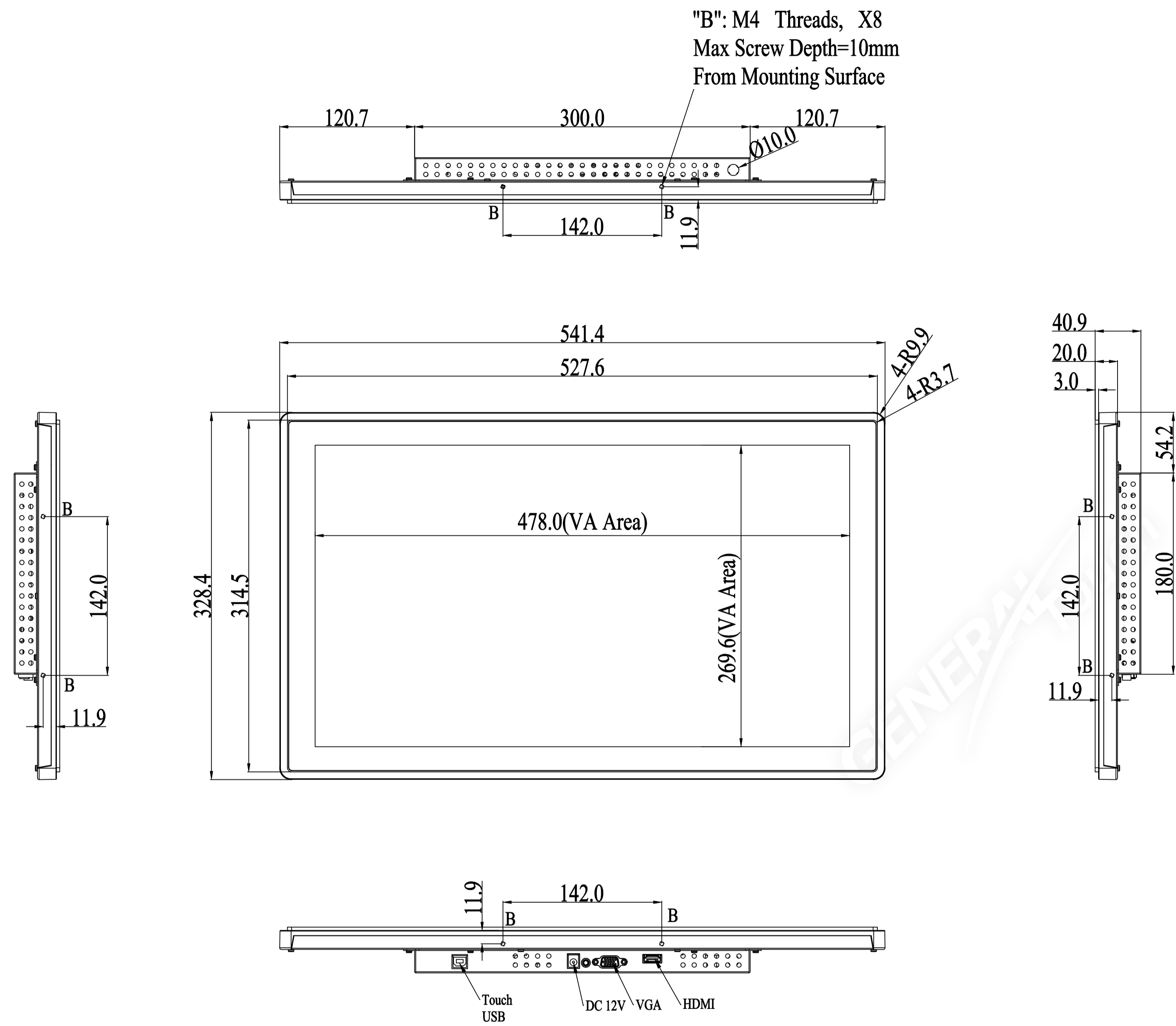


Title: OTL223-RC3000-UH2200-2.0

Mark	Revised Contents	Signature
①		



Do Not Scale Drawing

GENERAL Touch		GeneralTouch Co., Ltd.			
Specification	External Dimensions	541.4*328.4*40.9	Anti-Glare	Y <input type="checkbox"/> N <input checked="" type="checkbox"/>	Designer: Zhou Bolin
Unit	Date	Active Area	DustProof	Y <input type="checkbox"/> N <input checked="" type="checkbox"/>	
mm	2024/10/18	Glass Thickness			Checked By: Wang Zhenghua
Projection:		Silk Print Color			
		Mounting	VESA <input checked="" type="checkbox"/>	Bracket <input checked="" type="checkbox"/>	Approved By: Zhou Bolin
Sheet 1 of 1		Notes			
VER: 0.1	Scale: 1:1	Touch Technology	P-CAP	<input checked="" type="checkbox"/> SAW	
Tolerance: ±1.0mm			IR/PIT	Resistive	
			Non-Touch		