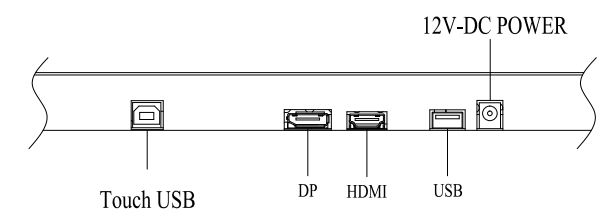
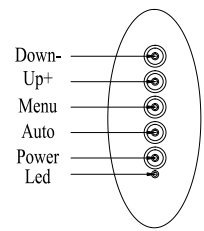
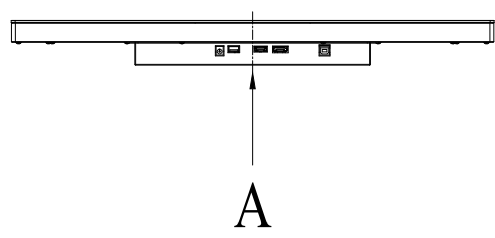
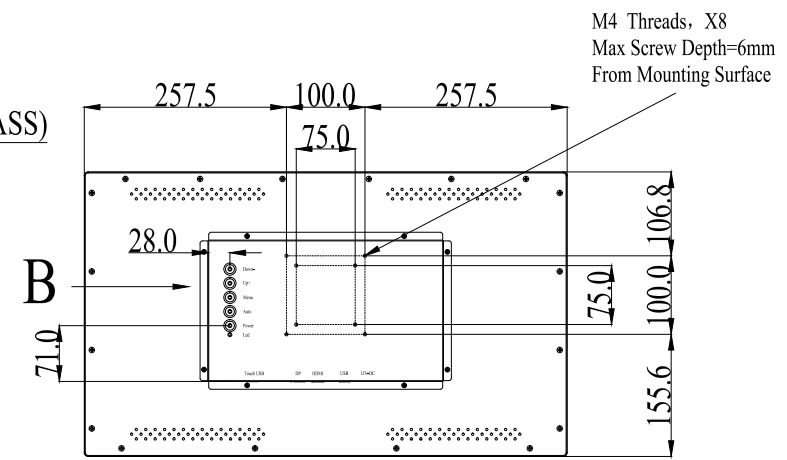
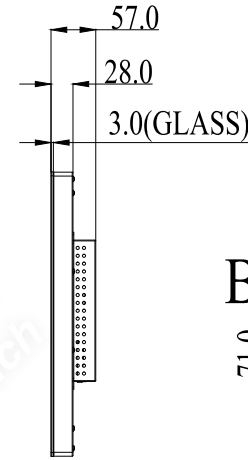
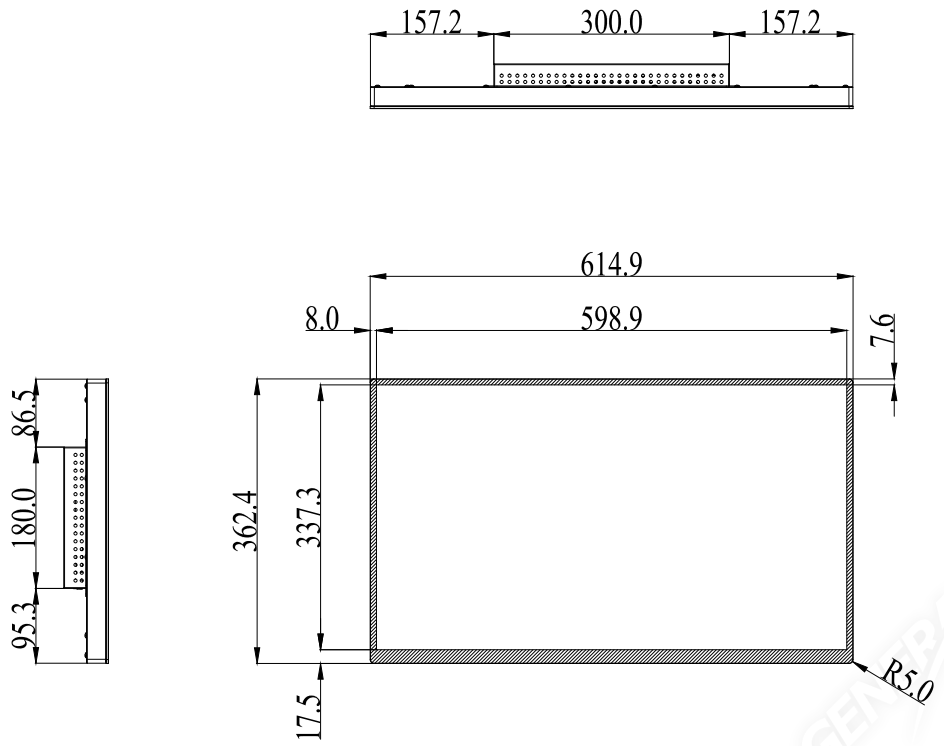


Title: OTL279-RC4000-UD3F00-1.0

Mark	Revised Contents	Signature
△		



Detail A
3:1

Detail B
3:1

ALL DIMENSIONS ARE IN MILLIMETERS

GENERAL Touch		GeneralTouch Co., Ltd.					
Specification	External Dimensions	614.9*362.4*57	Anti-Glare	Y <input type="checkbox"/> N <input checked="" type="checkbox"/>		DESIGNER:	
Unit	Date	Active Area	DustProof	Y <input type="checkbox"/> N <input checked="" type="checkbox"/>			Li Yang
mm	2023/12/05	Glass Thickness	3.0			Checked By:	
Projection:		Silk Print Color				Xiong Jiawei	
		Mounting	VESA <input checked="" type="checkbox"/>	Bracket <input type="checkbox"/>			
Sheet 1 of 1		Notes				Approved By:	
VER: 0.5	Scale: 1:1	Touch Technology	P-CAP	<input checked="" type="checkbox"/>	SAW	Tang Haiwei	
Tolerance: ±3.0mm			IR/PIT	<input type="checkbox"/>	Resistive		
			Non-Touch	<input type="checkbox"/>			