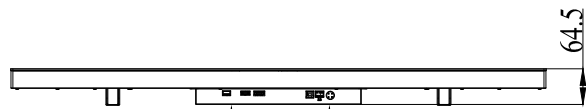
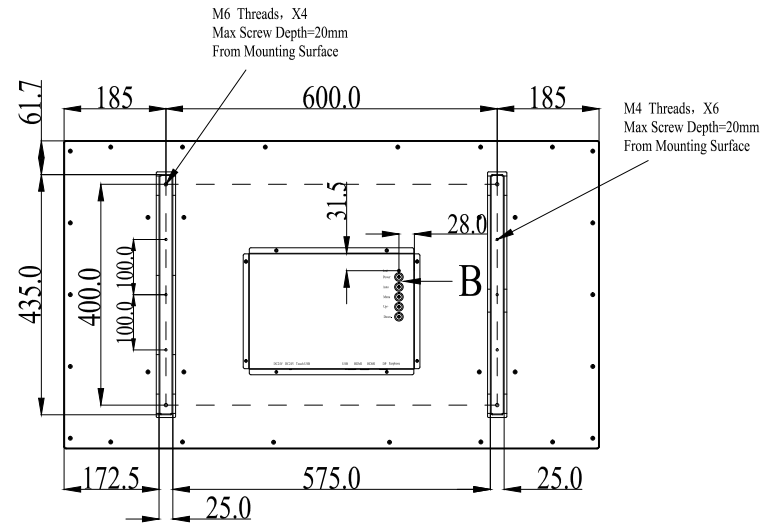
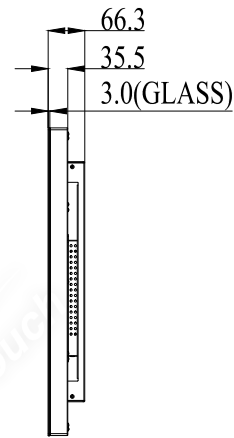
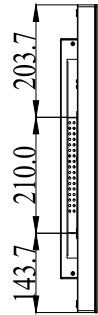
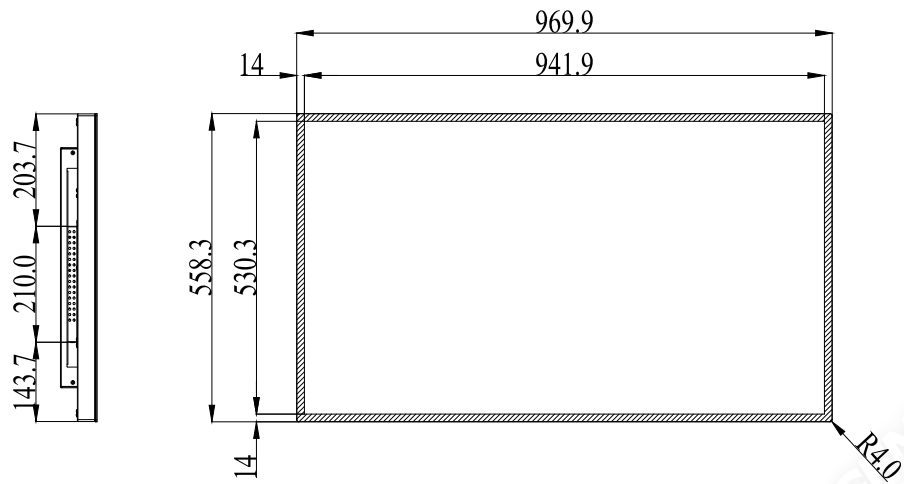
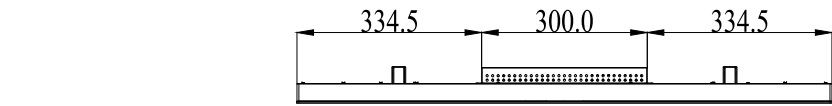
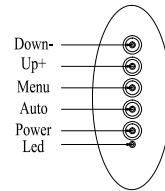


Title: OTL439-RC4000-UD5U00-1.0

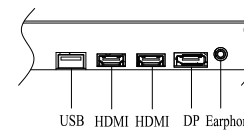
Mark	Revised Contents	Signature
△		



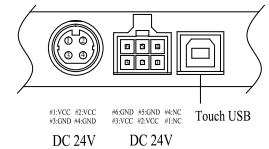
A C



Detail B  
3:1



Detail A  
3:1



Detail C  
5:1

ALL DIMENSIONS ARE IN MILLIMETERS

<b>GENERAL Touch</b>		GeneralTouch Co., Ltd.			
Specification	External Dimensions	969.9*558.3*66.3	Anti-Glare	Y <input type="checkbox"/> N <input checked="" type="checkbox"/>	DESIGNER: Li Yang
Unit	Date	Active Area	DustProof	Y <input type="checkbox"/> N <input checked="" type="checkbox"/>	
mm	2024/06/28	Glass Thickness	3.0		Checked By: Xiong Jiawei
Projection:		Silk Print Color			Approved By: Tang Haiwei
		Mounting	VESA <input checked="" type="checkbox"/> Bracket <input type="checkbox"/>		
Sheet 1 of 1		Notes			
VER: 0.4	Scale: 1:1	Touch Technology	P-CAP <input checked="" type="checkbox"/> SAW <input type="checkbox"/>	IR/PIT <input type="checkbox"/> Resistive <input type="checkbox"/>	
Tolerance: ±3.0mm			Non-Touch <input type="checkbox"/>		