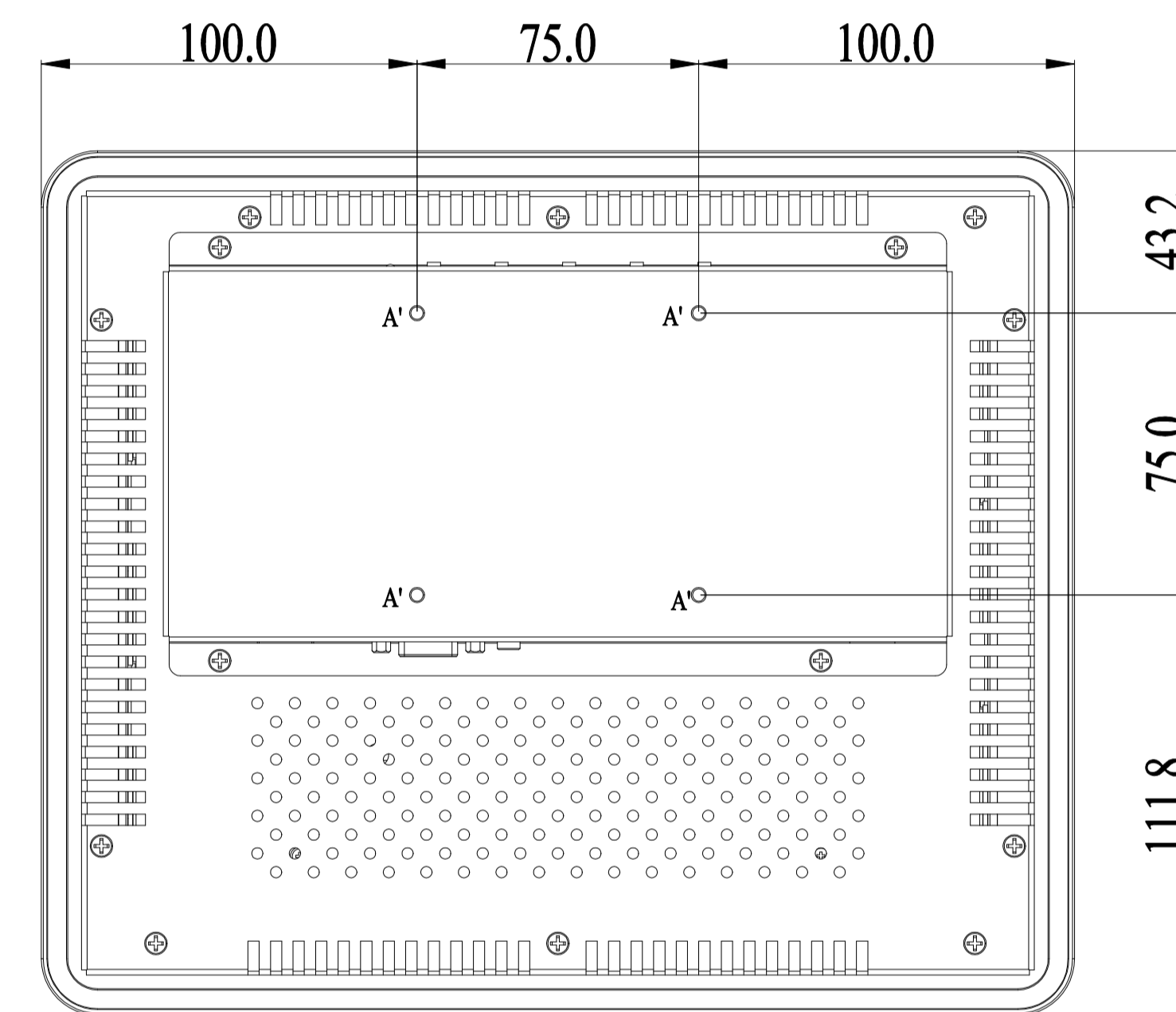
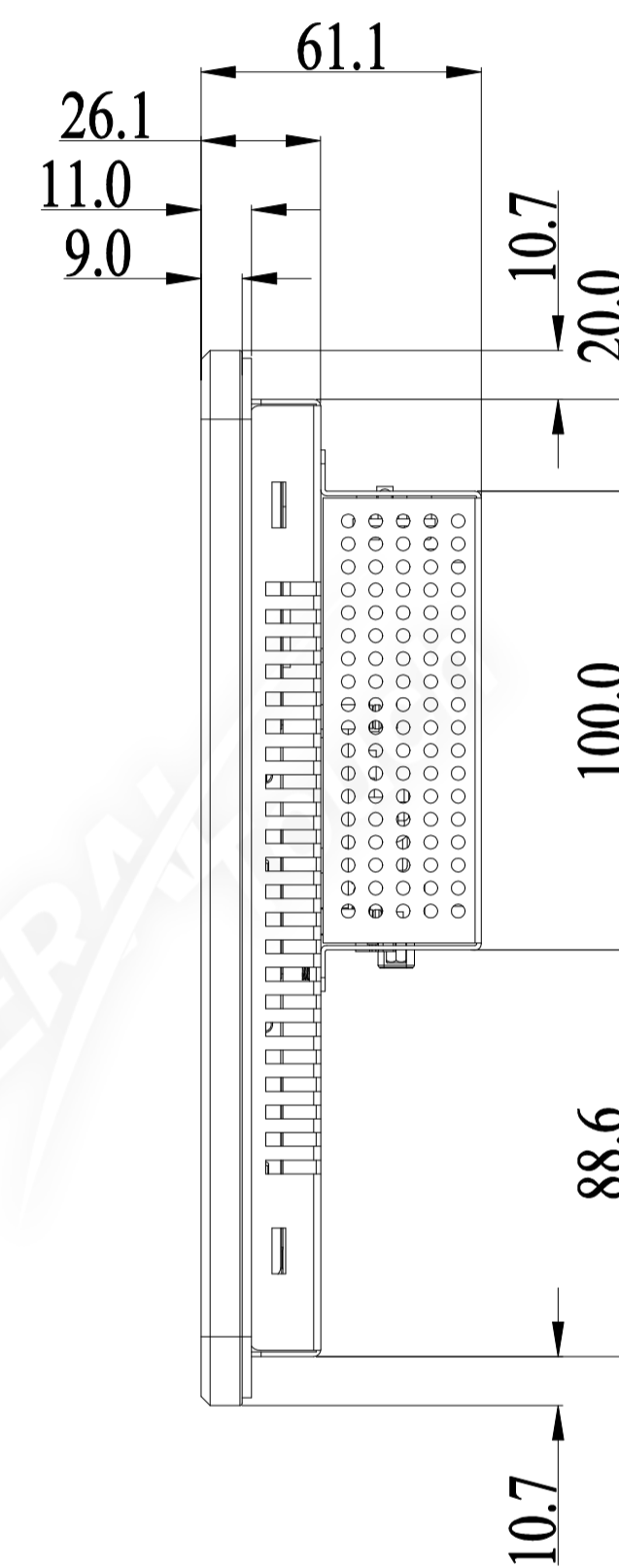
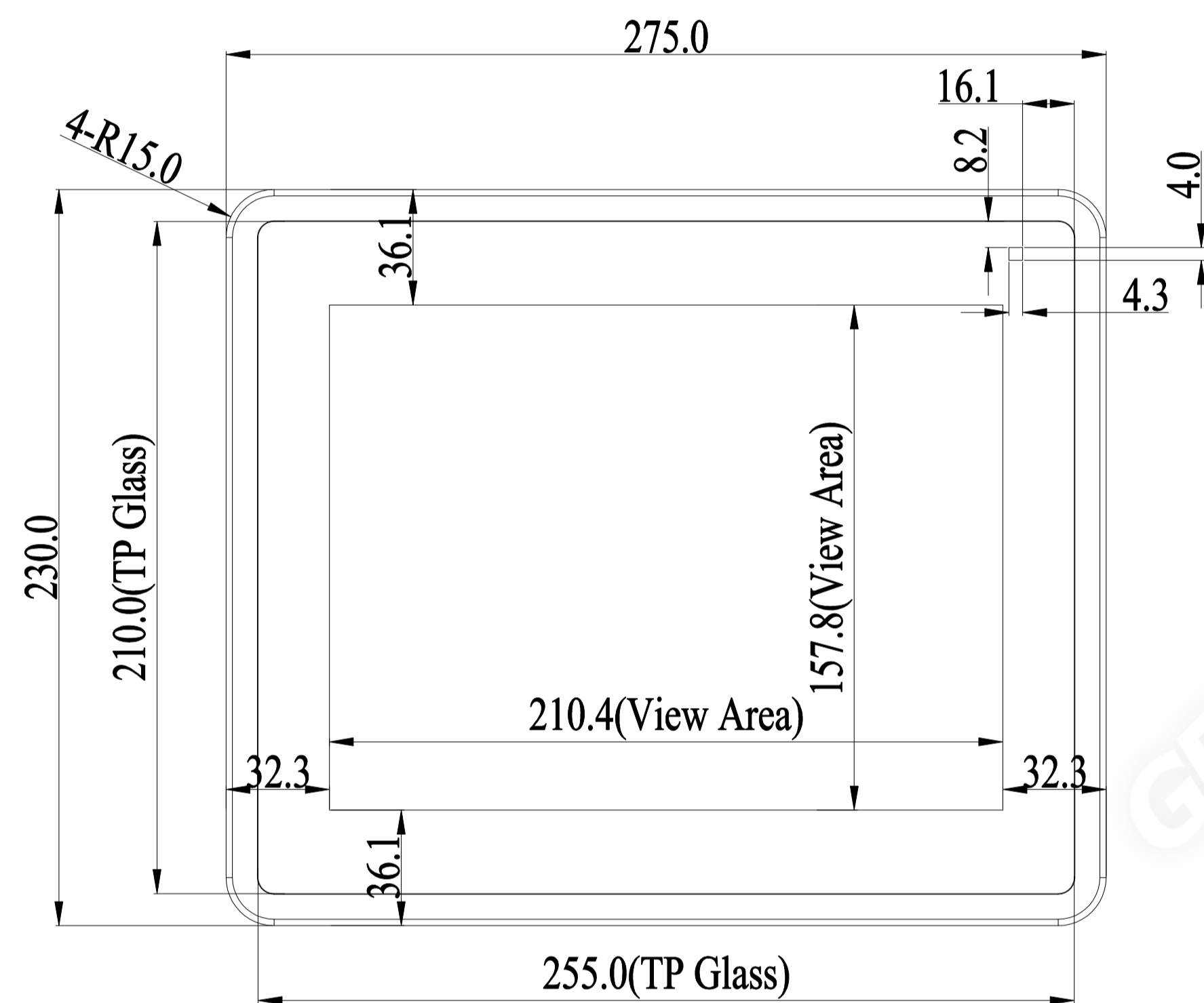
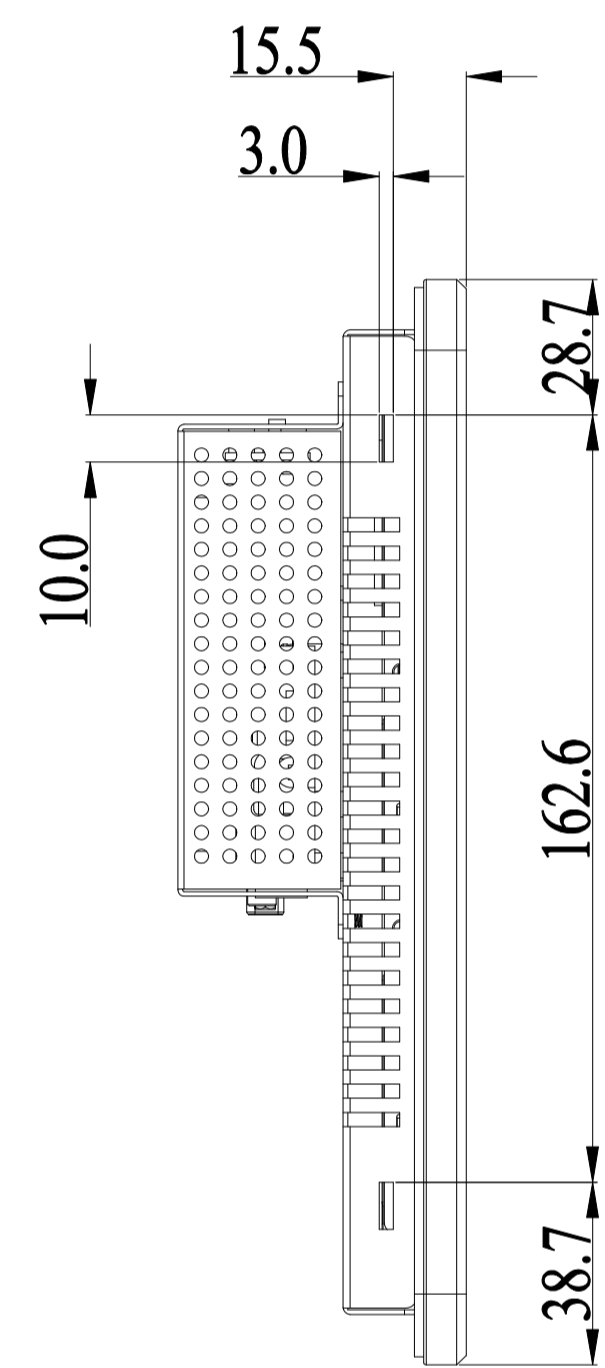
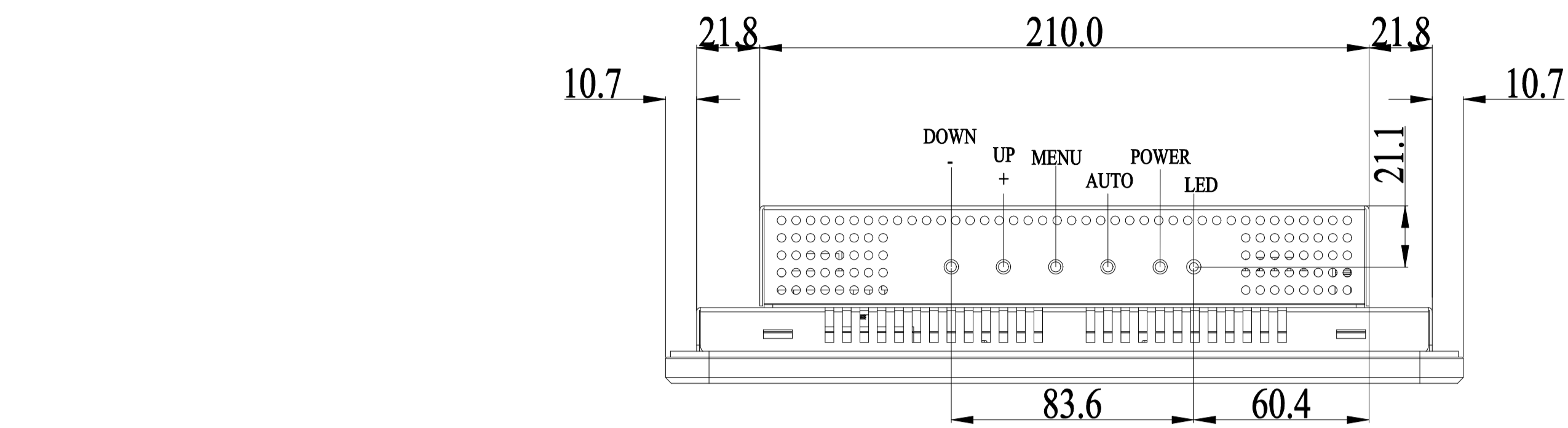
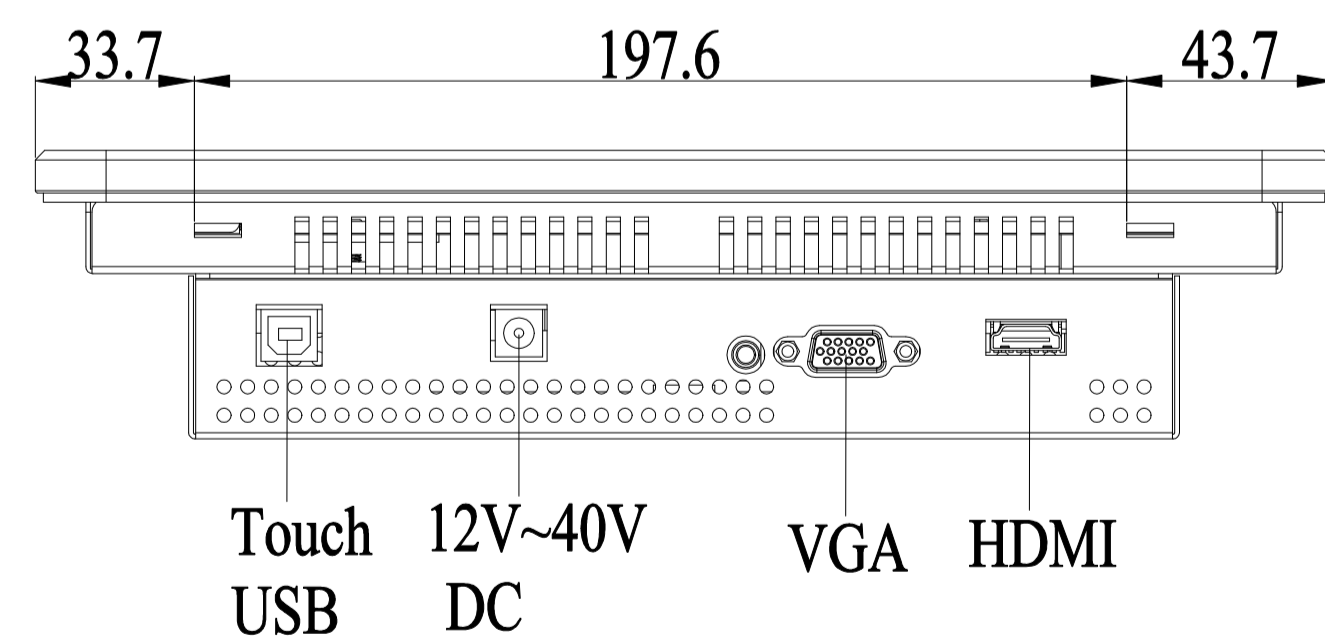


Title: PSL10S-RC80A0-UHAAL0-1.0

Mark	Revised Contents	Signature
①		



A': M4 Threads x4, Max Screw Depth=6mm From Mounting Surface

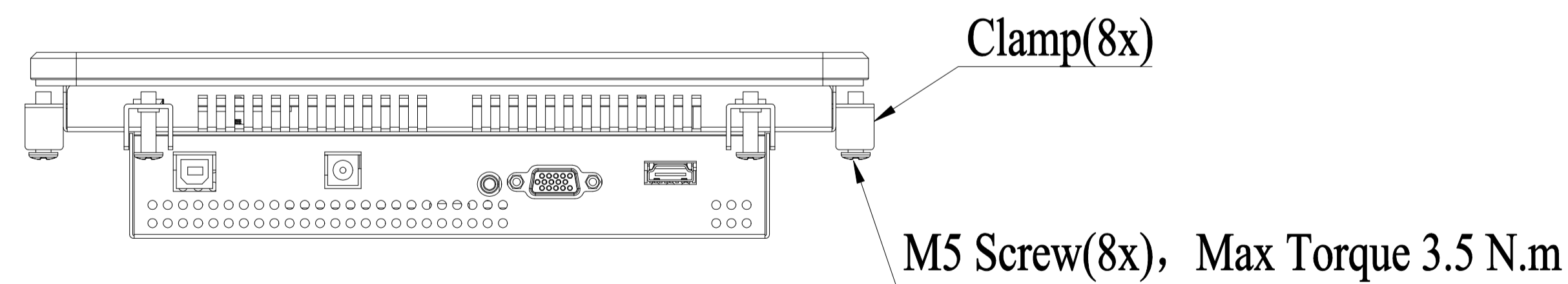
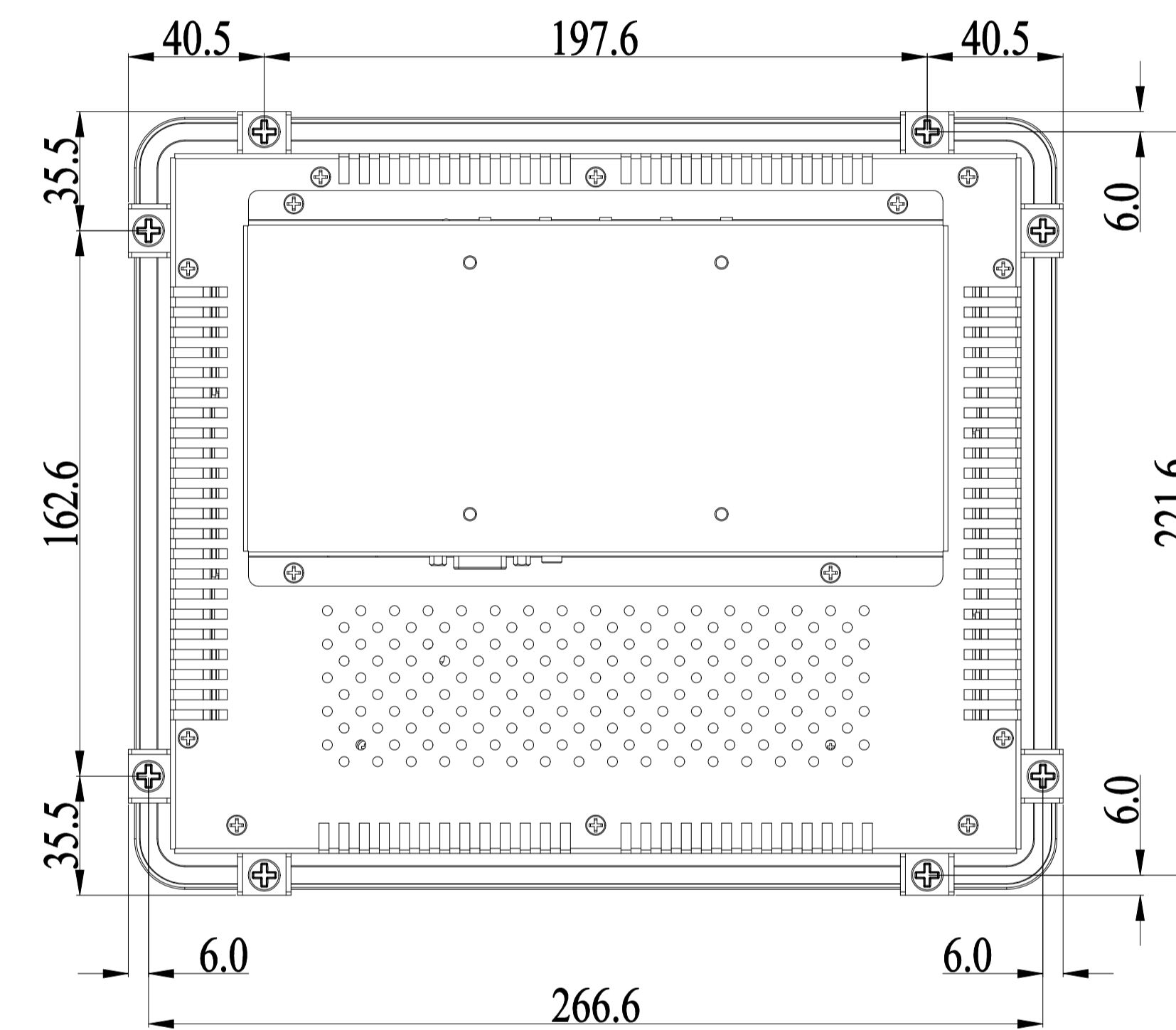
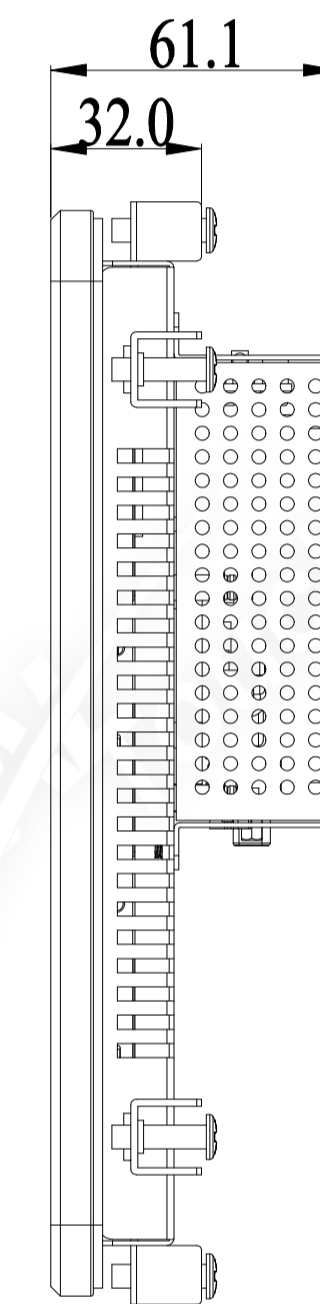
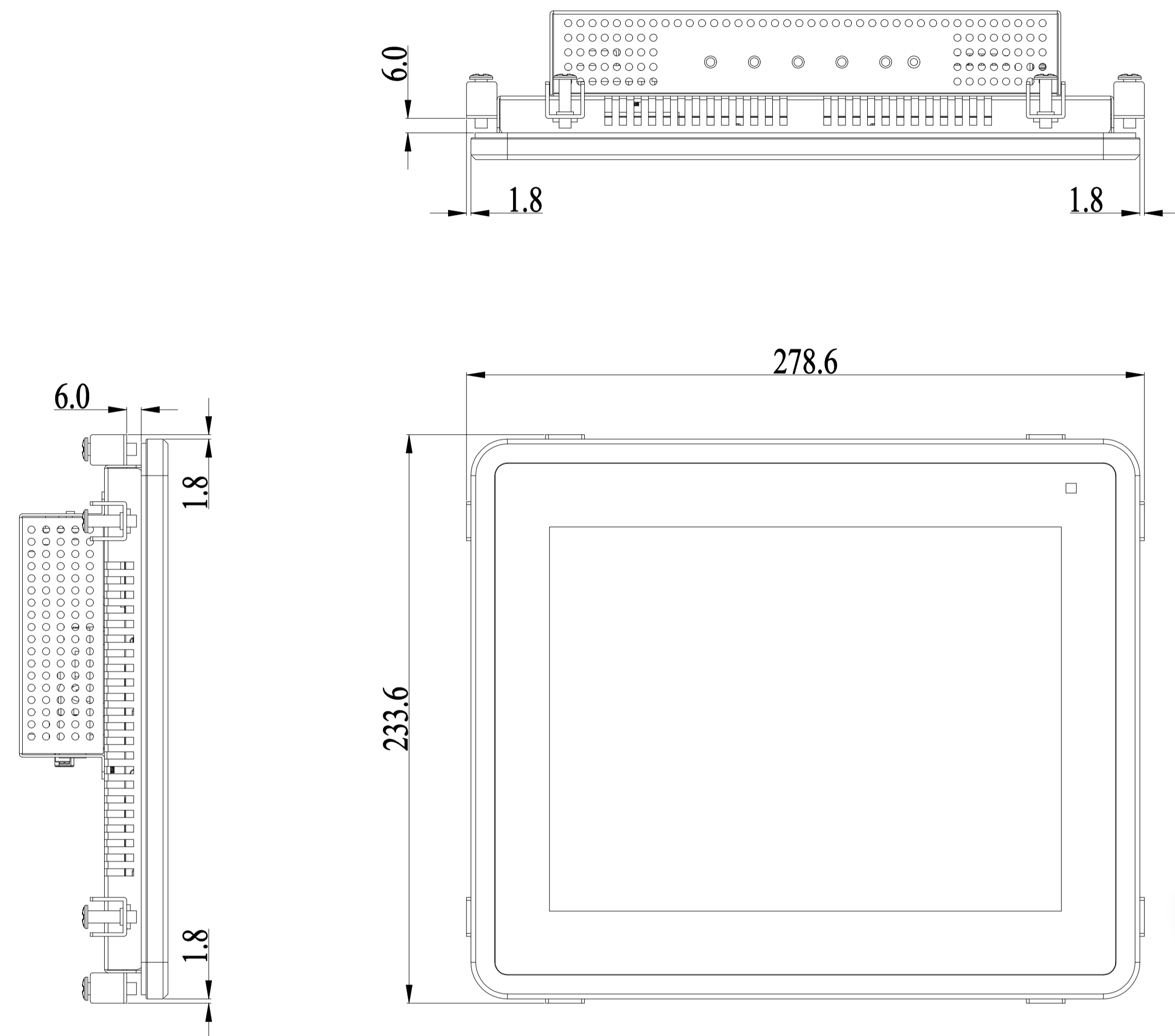


ALL DIMENSIONS ARE IN MILLIMETERS

GENERAL Touch		GeneralTouch Co., Ltd.			
Specification	External Dimensions	275*230*61.1	Anti-Glare	<input checked="" type="checkbox"/> Y <input type="checkbox"/> N	Designer: Zhou Bolin
Unit	Date	View Area	DustProof	<input type="checkbox"/> Y <input checked="" type="checkbox"/> N	
mm	2024/11/27	Glass Thickness	6 mm		Checked By: Wang Zhenghua
Projection:		Silk Print Color			
Sheet 1 of 2		Mounting	VESA <input checked="" type="checkbox"/> Bracket <input checked="" type="checkbox"/>		Approved By: Zhou Bolin
VER: 0.7	Scale: 1:1	Notes			
Tolerance: ±1.0mm		Touch Technology	P-CAP <input checked="" type="checkbox"/> SAW <input type="checkbox"/>	IR/PIT <input type="checkbox"/> Resistive <input type="checkbox"/>	
			Non-Touch <input type="checkbox"/>		

Title: PSL10S-RC80A0-UHAAL0-1.0

Mark	Revised Contents	Signature
△		



Notes:
The M5 screw and clamp are accessories.

ALL DIMENSIONS ARE IN MILLIMETERS

GENERAL Touch		GeneralTouch Co., Ltd.			
Specification	External Dimensions	278.6*233.6*61.1	Anti-Glare	Y <input checked="" type="checkbox"/> N <input type="checkbox"/>	Designer:
Unit	Date	View Area	DustProof	Y <input type="checkbox"/> N <input checked="" type="checkbox"/>	Zhou Bolin
mm	2024/11/27	Glass Thickness			Checked By:
Projection:		Silk Print Color	Mounting	VESA <input checked="" type="checkbox"/> Bracket <input checked="" type="checkbox"/>	Wang Zhenghua
Sheet 2 of 2		Notes			Approved By:
VER: 0.7	Scale: 1:1	Touch Technology	P-CAP	<input checked="" type="checkbox"/> SAW	Zhou Bolin
Tolerance: ±1.0mm			IR/PIT	<input type="checkbox"/> Resistive	
			Non-Touch	<input type="checkbox"/>	