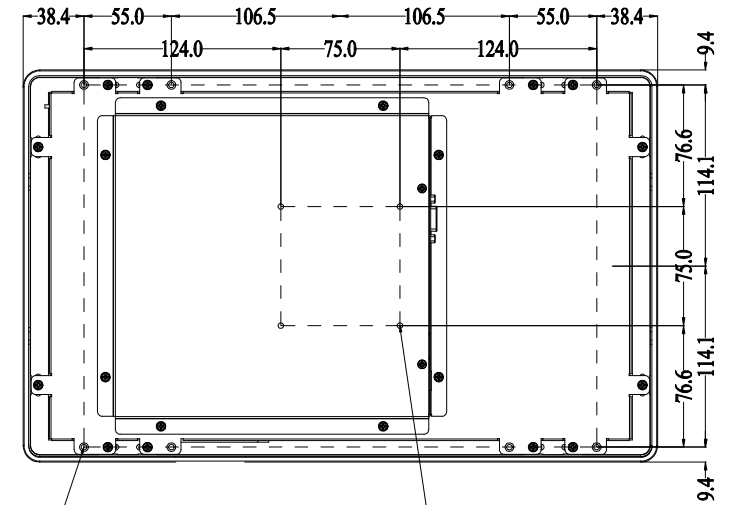
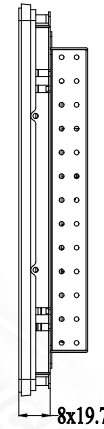
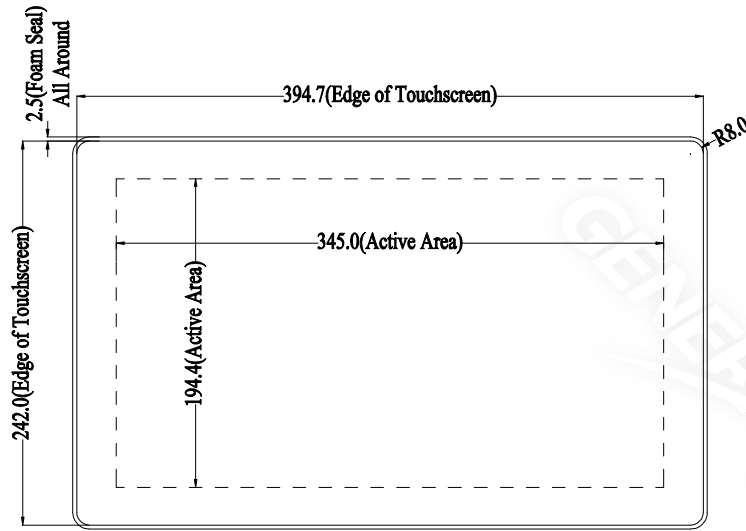
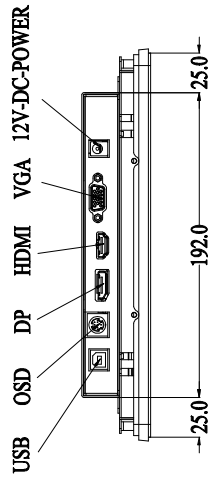
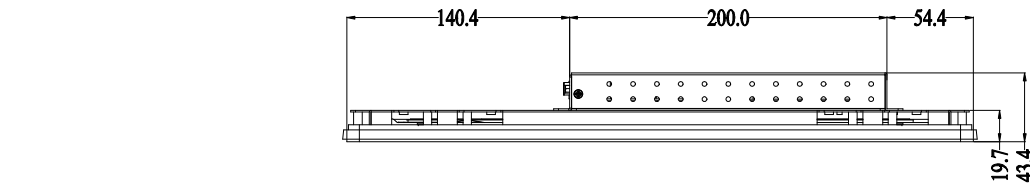


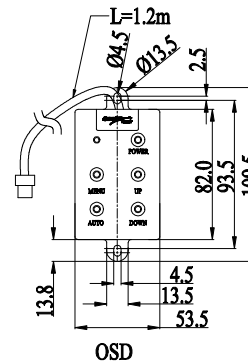
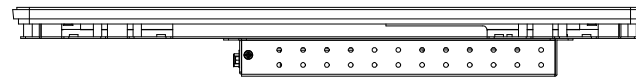
Title: RTL156-LC5000-UD5200-1.0

Mark	Revised Contents	Signature
△		



M4 Threads, X8
Max Screw Depth=8mm
From Mounting Surface

M4 Threads, X4
Max Screw Depth=8mm
From Mounting Surface

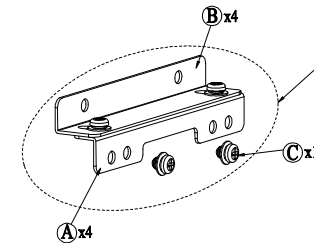
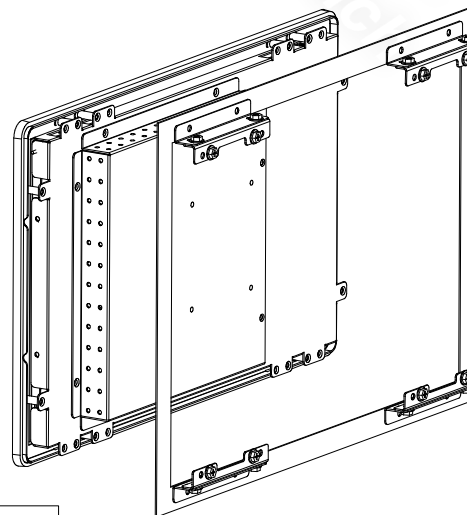
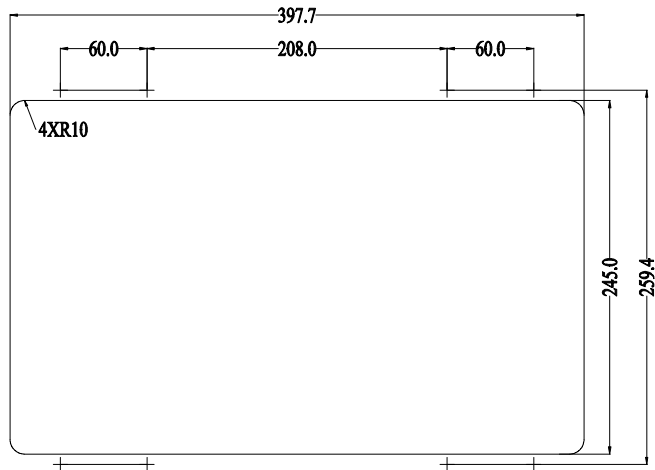
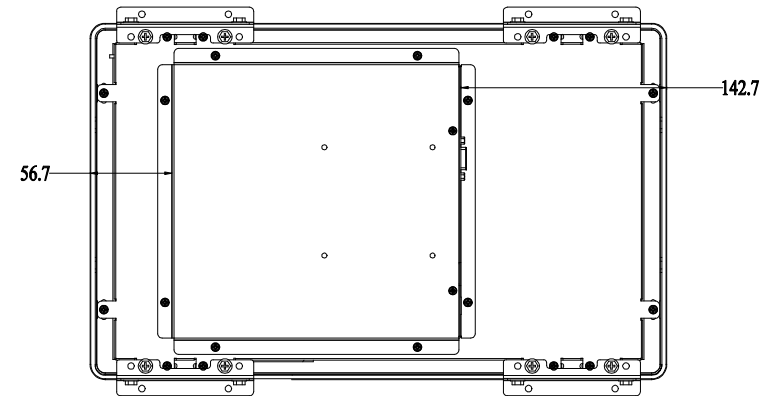
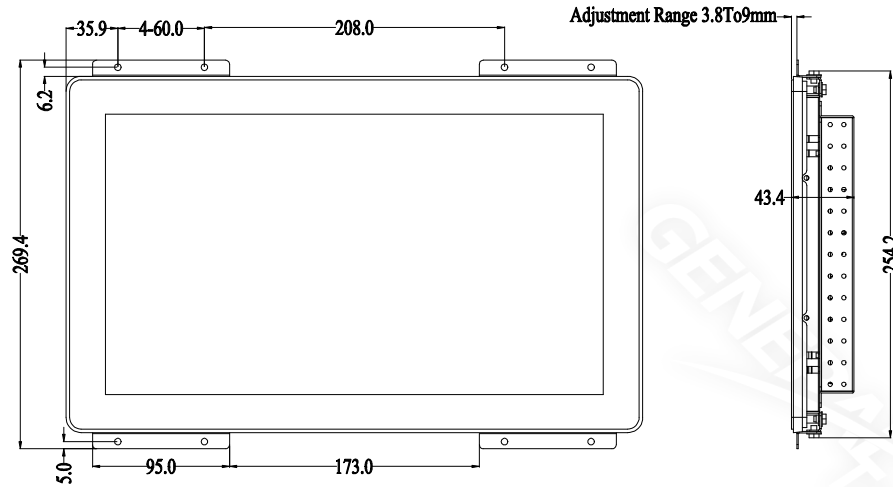


ALL DIMENSIONS ARE IN MILLIMETERS

GENERAL Touch		GeneralTouch Co., Ltd.			
Specification	External Dimensions	394.7*242*43.4	Anti-Glare	<input type="checkbox"/> Y <input checked="" type="checkbox"/> N <input type="checkbox"/> N	Designer: Deng Hang
Unit	Date	Active Area	DustProof	<input type="checkbox"/> Y <input checked="" type="checkbox"/> N <input type="checkbox"/> N	
mm	2024/01/31	Glass Thickness			Checked By: Wang Zhenghua
Projection:		Silk Print Color			
		Mounting	VESA <input checked="" type="checkbox"/>	Bracket <input checked="" type="checkbox"/>	
Sheet 1 of 2		Notes			Approved By: Zhou Bolin
VER: 0.2	Scale: 1:1	Touch Technology	P-CAP <input checked="" type="checkbox"/>	SAW <input type="checkbox"/>	
Tolerance: ±1.0mm			IR/PIT <input type="checkbox"/>	Resistive <input type="checkbox"/>	
			Non-Touch <input type="checkbox"/>		

Title: RTL156-LC5000-UD5200-1.0

Mark	Revised Contents	Signature
△		



Customer Panel (Not Included)
Min Thickness = 3.75 mm
Max Thickness = 9 mm

Optional Accessories		
Part Number	Description	Qty
20703000025R	Mounting bracket assembly	1

ALL DIMENSIONS ARE IN MILLIMETERS

GENERAL Touch		GeneralTouch Co., Ltd.			
Specification	External Dimensions	394.7*242*43.4	Anti-Glare	<input type="checkbox"/> Y <input checked="" type="checkbox"/> N	Designer:
Unit	Date	Active Area	DustProof	<input type="checkbox"/> Y <input checked="" type="checkbox"/> N	Deng Hang
mm	2024/01/31	Glass Thickness			Checked By:
Projection:		Silk Print Color			Wang Zhenghua
		Mounting	VESA <input checked="" type="checkbox"/>	Bracket <input checked="" type="checkbox"/>	Approved By:
Sheet 2 of 2		Notes			Zhou Bolin
VER: 0.2	Scale: 1:1	Touch Technology	P-CAP <input checked="" type="checkbox"/>	SAW <input type="checkbox"/>	
			IR/PIT <input type="checkbox"/>	Resistive <input type="checkbox"/>	
		Tolerance: ±1.0mm	Non-Touch <input type="checkbox"/>		