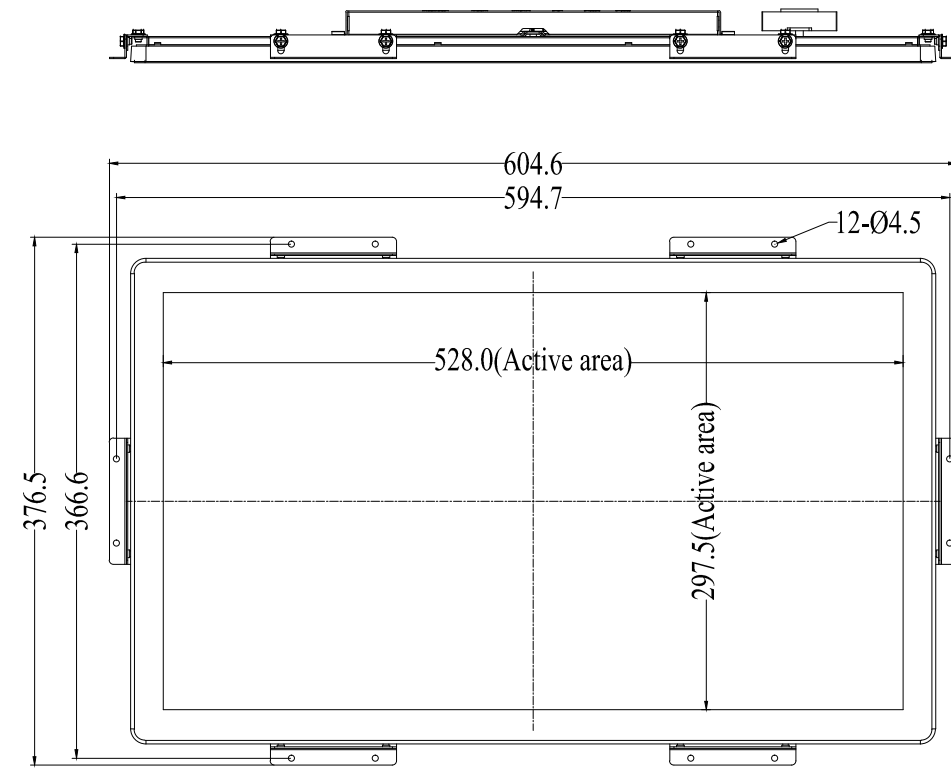


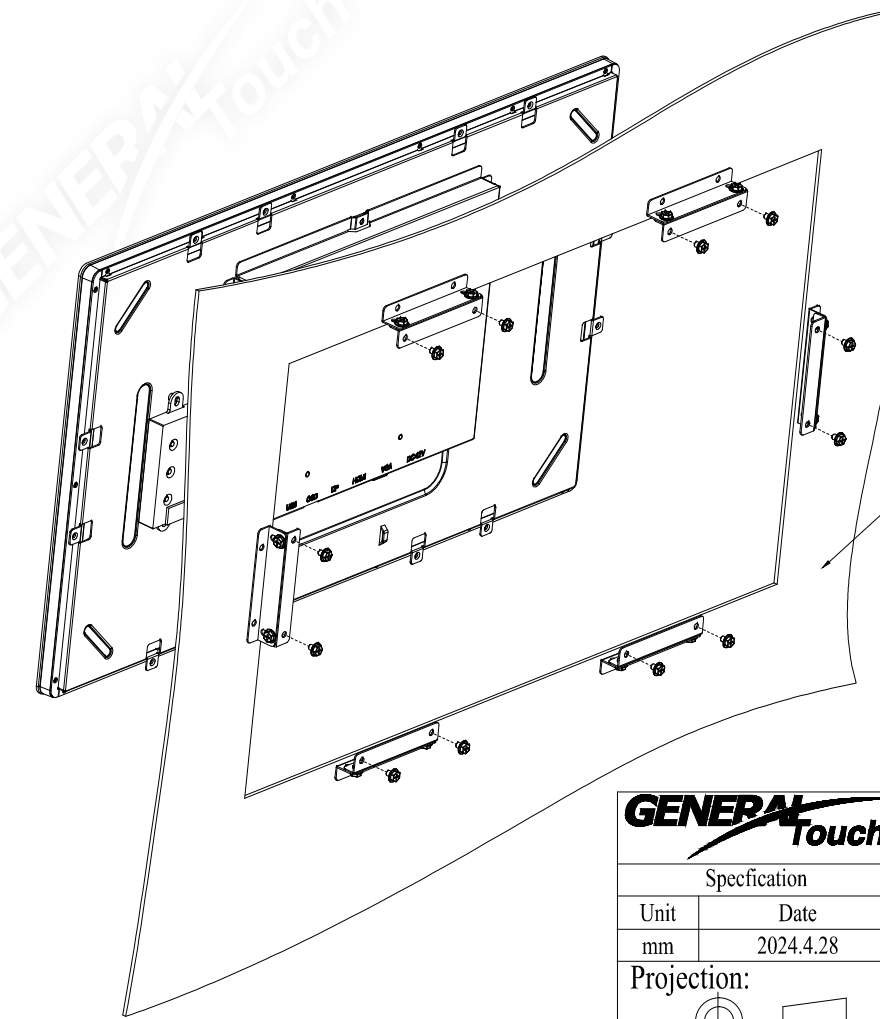
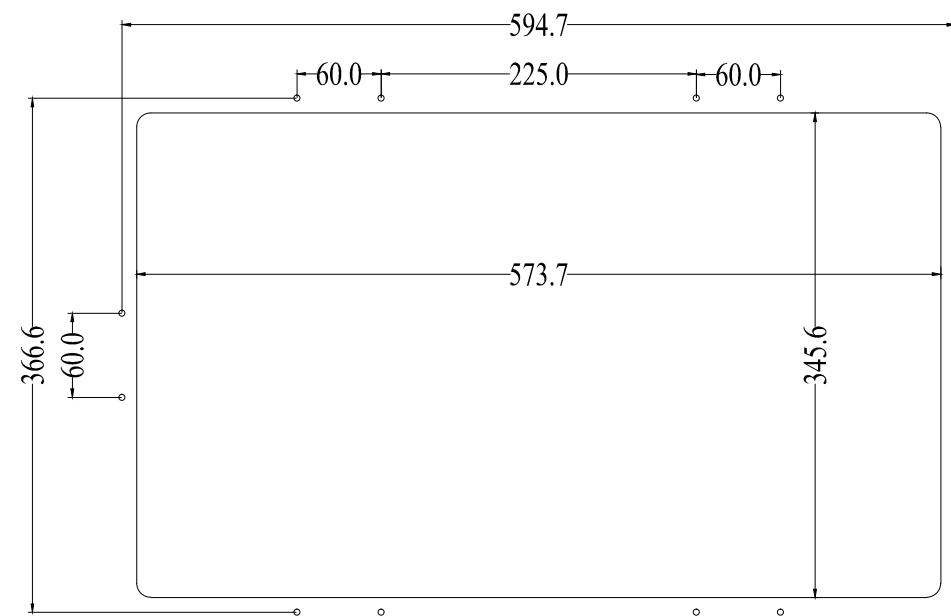
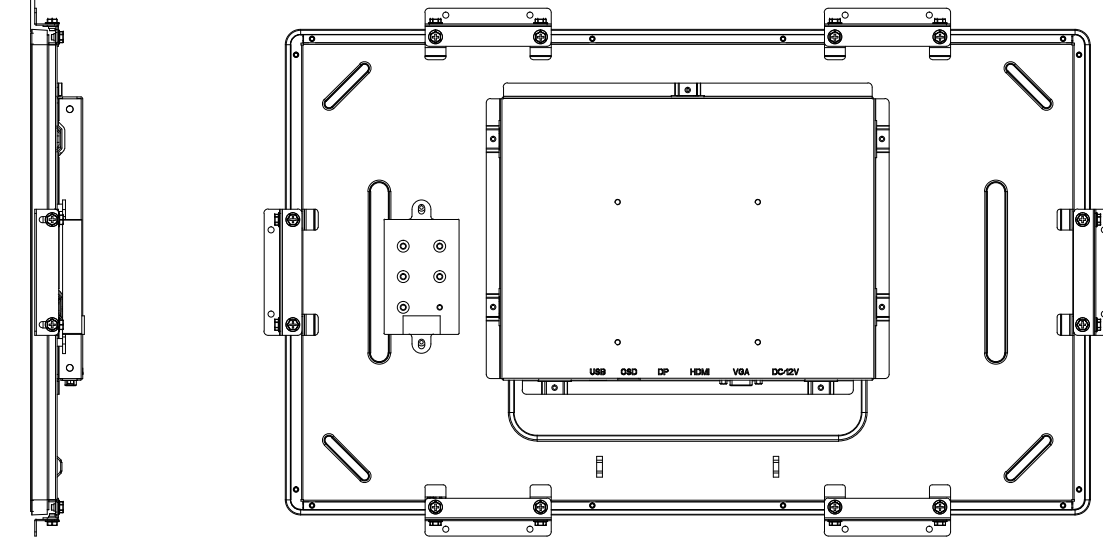


# Title: RTL246-LC4000-UD4200-2.0

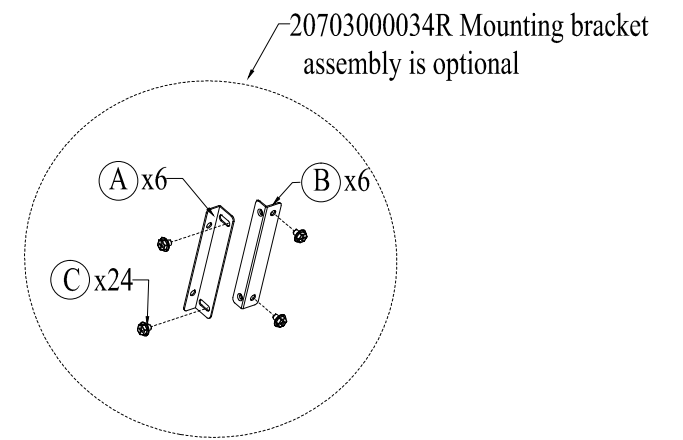
Mark	Revised Contents	Signature
△		



Ad Justment Range=3 To 10



Customer Panel (Not Included)  
Min Thickness = 3 mm  
Max Thickness = 10 mm



20703000034R Mounting bracket assembly is optional

Optional Accessories		
Part Number	Description	Qty
20703000034R	Mounting bracket assembly	1

<b>GENERAL Touch</b>		GeneralTouch Co., Ltd.			
Specification	External Dimensions	604.6*376.5*37.0	Anti-Glare	Y <input type="checkbox"/> N <input checked="" type="checkbox"/>	
Unit	Date	2024.4.28	DustProof	Y <input type="checkbox"/> N <input checked="" type="checkbox"/>	
mm					
Projection:	Glass Thickness	2 mm	Silk Print Color		
	Mounting	VESA <input checked="" type="checkbox"/>	Bracket	<input checked="" type="checkbox"/>	
Sheet 2 of 2	Notes				
VER: 0.2	Scale: 1:1	Touch Technology	P-CAP	<input checked="" type="checkbox"/>	SAW
			IR/PIT	<input type="checkbox"/>	Resistive
			Non-Touch	<input type="checkbox"/>	
Tolerance: ±1.0mm					
					Designer: Wang An
					Checked By: Duan Wenbin
					Approved By: Zhou Bolin

ALL DIMENSIONS ARE IN MILLIMETERS