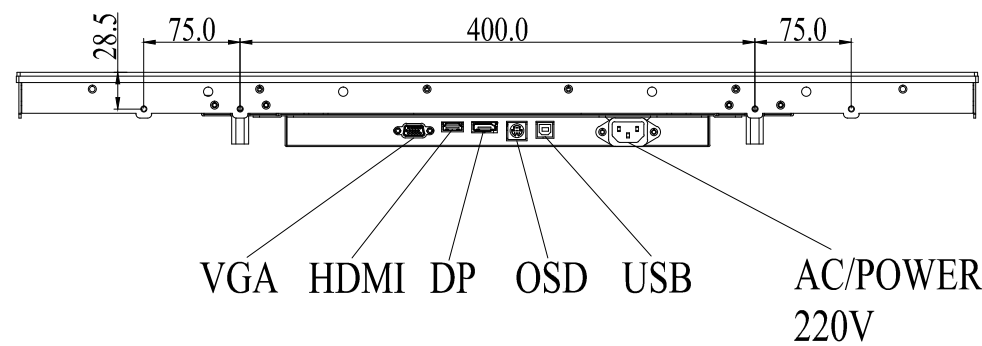
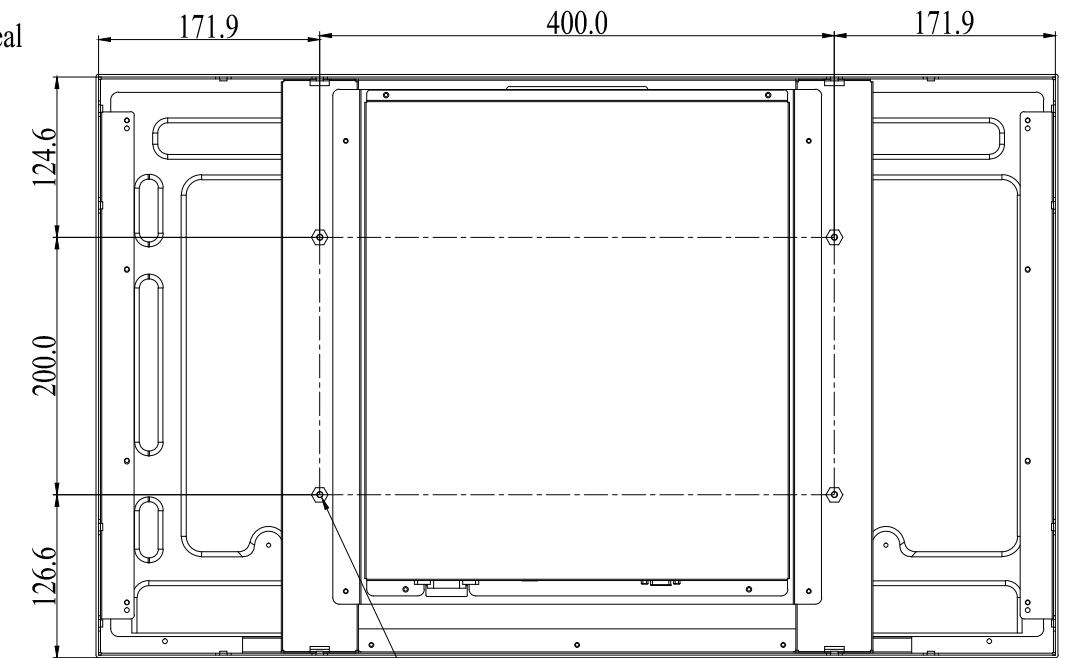
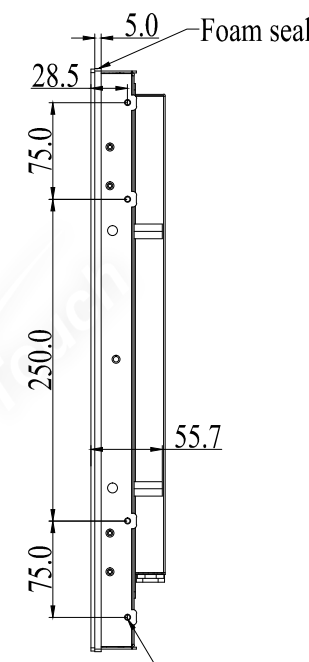
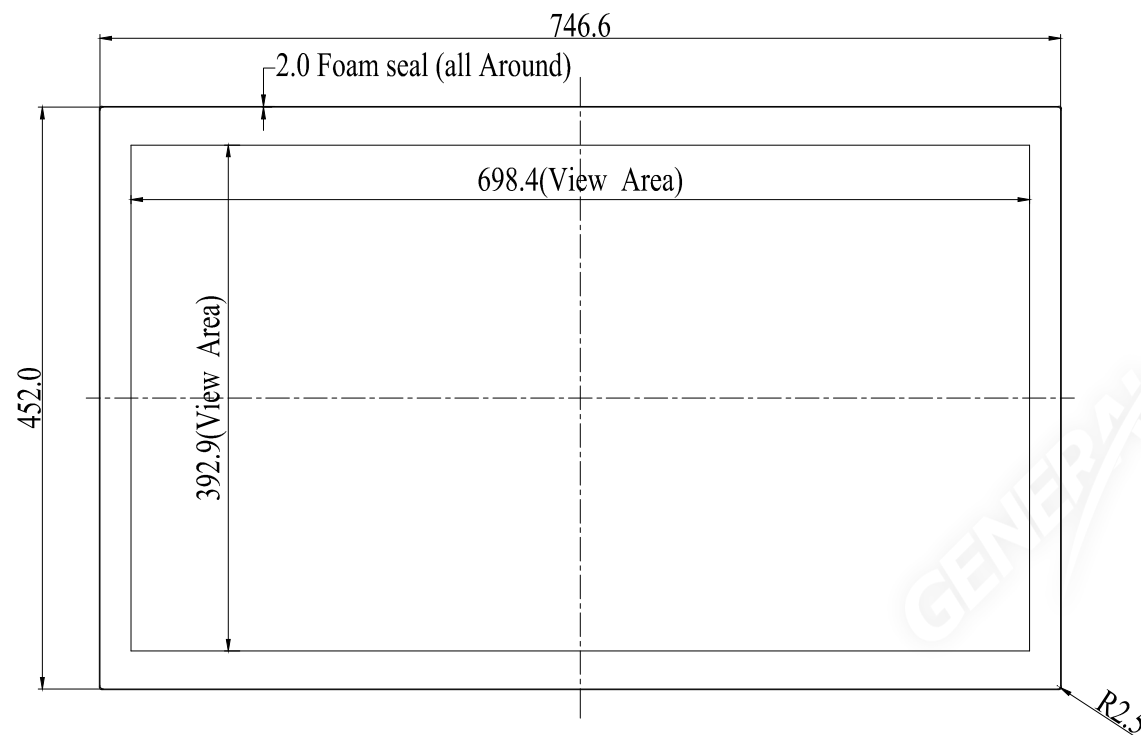
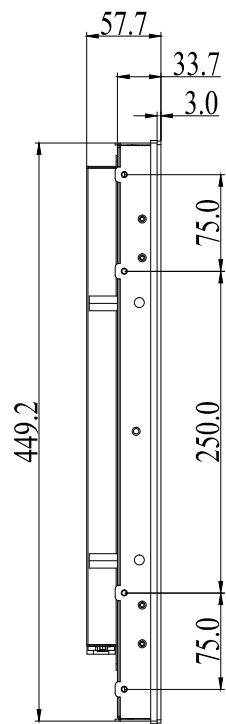
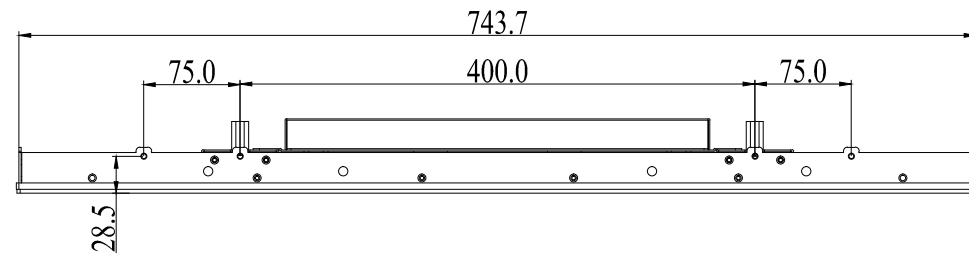


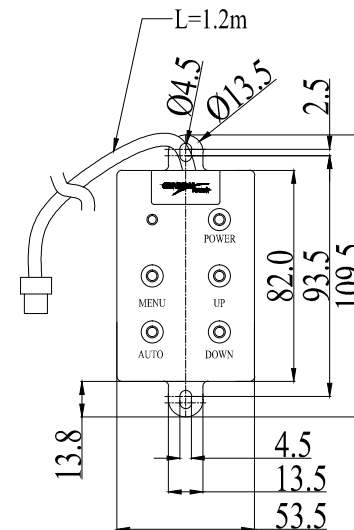
Title: RTL326-RC5E00-UD5200-1.0

Mark	Revised Contents	Signature
△		



M4 Threads, X16
Max Screw Depth=7mm
From Mounting Surface

VESA: M6 Threads, X4
Max Screw Depth=10mm
From Mounting Surface



OSD (max thickness = 15.5mm)

ALL DIMENSIONS ARE IN MILLIMETERS

GENERAL Touch		General Touch Co., Ltd.				
Specification	External Dimensions	746.6*452*57.7	Anti-Glare	Y <input type="checkbox"/> N <input checked="" type="checkbox"/>	DESIGNER: wang an	
Unit	Date	2024.10.25	DustProof	Y <input type="checkbox"/> N <input checked="" type="checkbox"/>		
mm	Active Area	698.4*392.9	Glass Thickness	3mm	Checked By: Wang Zhenghua	
Projection:	Silk Print Color	Black	Mounting	VESA <input checked="" type="checkbox"/> Bracket <input checked="" type="checkbox"/>		
Sheet 1 of 1	Notes				Approved By: Zhou Bolin	
VER: 0.1	Scale: 1:1	Touch Technology	P-CAP	√		SAW
Tolerance: ±1.0mm			IR/PIT			Resistive
			Non-Touch			